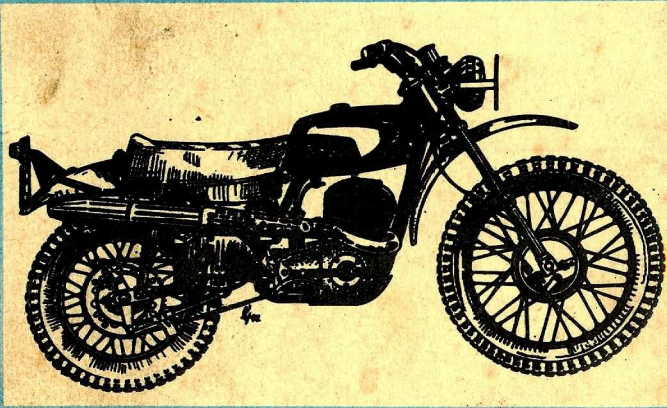




ENDURO

**SPARE
PARTS
LIST**

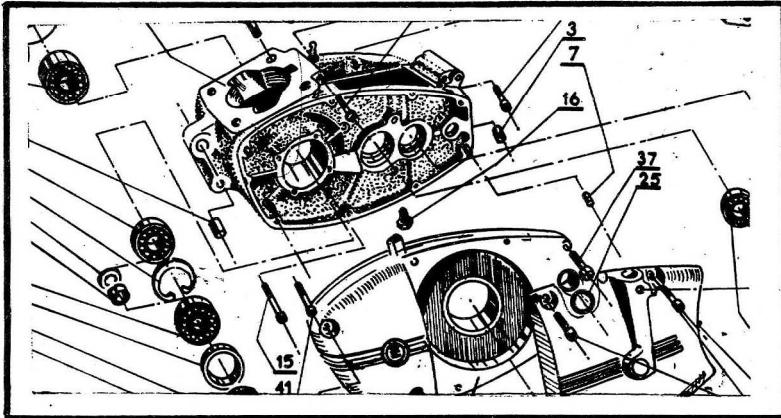


ENDURO



250 cc
TYPE 988

SPARE PART LIST



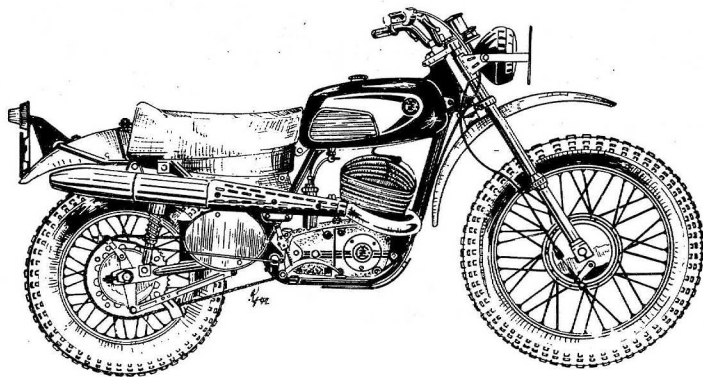
TYPE	988.00
NUMBER OF CYLINDERS	1
SWEPT VOLUME	246,2 cc

EDITION 1973

ČESKÉ ZÁVODY MOTOCYKLOVÉ - STRAKONICE - ČSSR

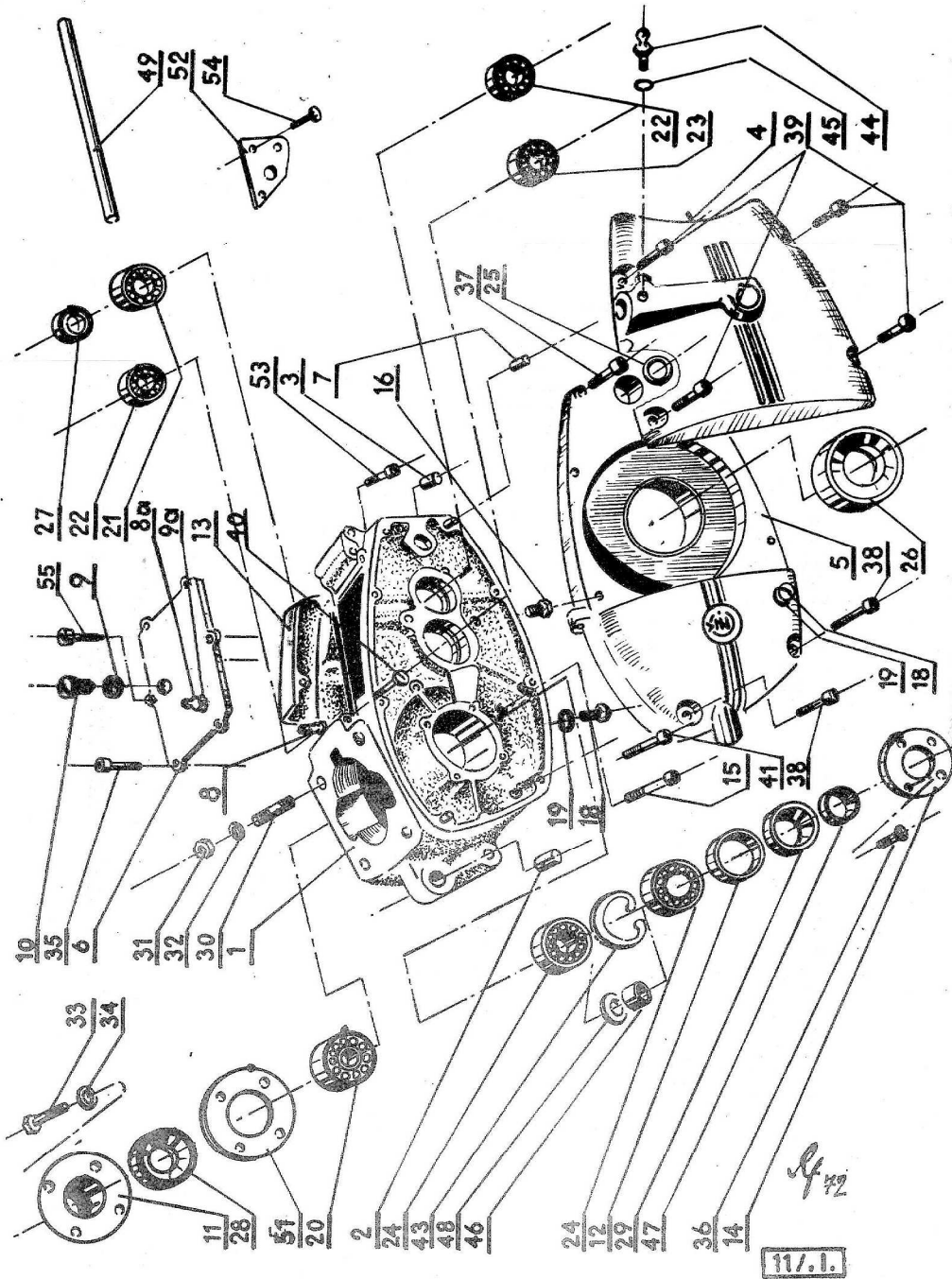
TECHNICAL DATA OF THE TERRAIN MOTORCYCLE

	ČZ 250 cc
	type 988.0
Bore/Stroke	70/64
Cylinder swept volume	246,2 cc
Max. output of engine $\pm 10\%$	
r. p. m. ± 200	26 H0/6900
Ignition system	by flywheel, voltage 6 V
Fuel tank capacity	12 litres
Weight of machine dry	115 kgs
Maximum travel of front wheel fork	170 mm
Maximum travel of rear wheel fork	90 mm
Wheels - dimensions of rims : front	1,60" x 21"
rear	1,85" x 18"
dimensions of tyres : front	2,75" x 21"
rear	4,25" x 18"



GENERAL INDEX

		<u>Page</u>
<u>ENGINE</u>		
Crankcase	11/I.	3
Crankcase	11/I.	5
R.H. rear cover		7
Speedometer driver	22/III.	7
L.H. cover-rpm meter	11/II.	9
Crankshaft	12	11
Special spare part		13
Classification of connecting Rod		15
Cylinder with head	13	17
Transmission	22/II.	19
Kick starter	22/III.	21
Foot gear change mechanism	24/II.	23
Foot gear change mechanism	24/III.	25
Clutch	28	
 <u>CHASSIS</u>		
Exhaust silencer	01	27
Chain guard	03	29
Frame	31	31
Rear mudguard - section damper	33/I.	33
Rear wheel springing	35	35
Boxes and covers	36	37
Side stand - footrests - rear brake	37	39
Fuel tank - saddle	39	41
Front fork	41/I.	43
Front fork	41/II.	45
Front fork	41/II.	45
Front fork	41/III.	47
Front mudguard - handlebar	46	49
Front and rear wheel	51-56	51
Front wheel	51	53
Rear wheel	56	55
 <u>ELECTRIC EQUIPMENT AND ACCESSORIES</u>		
Ignition - magneto	61/I.	57
Ignition coil	66	59
Leads	60/II.	59
Electric horn	62	61
Stop switch	65	61
Dip switch	65/I.	61
Head lamp	67	61
Tail lamp	68	61
Battery	69	61
 <u>SUPPLEMENTS</u>		
Engine cover		61
Tools (standart)		62
Tools (special - purpose)		62

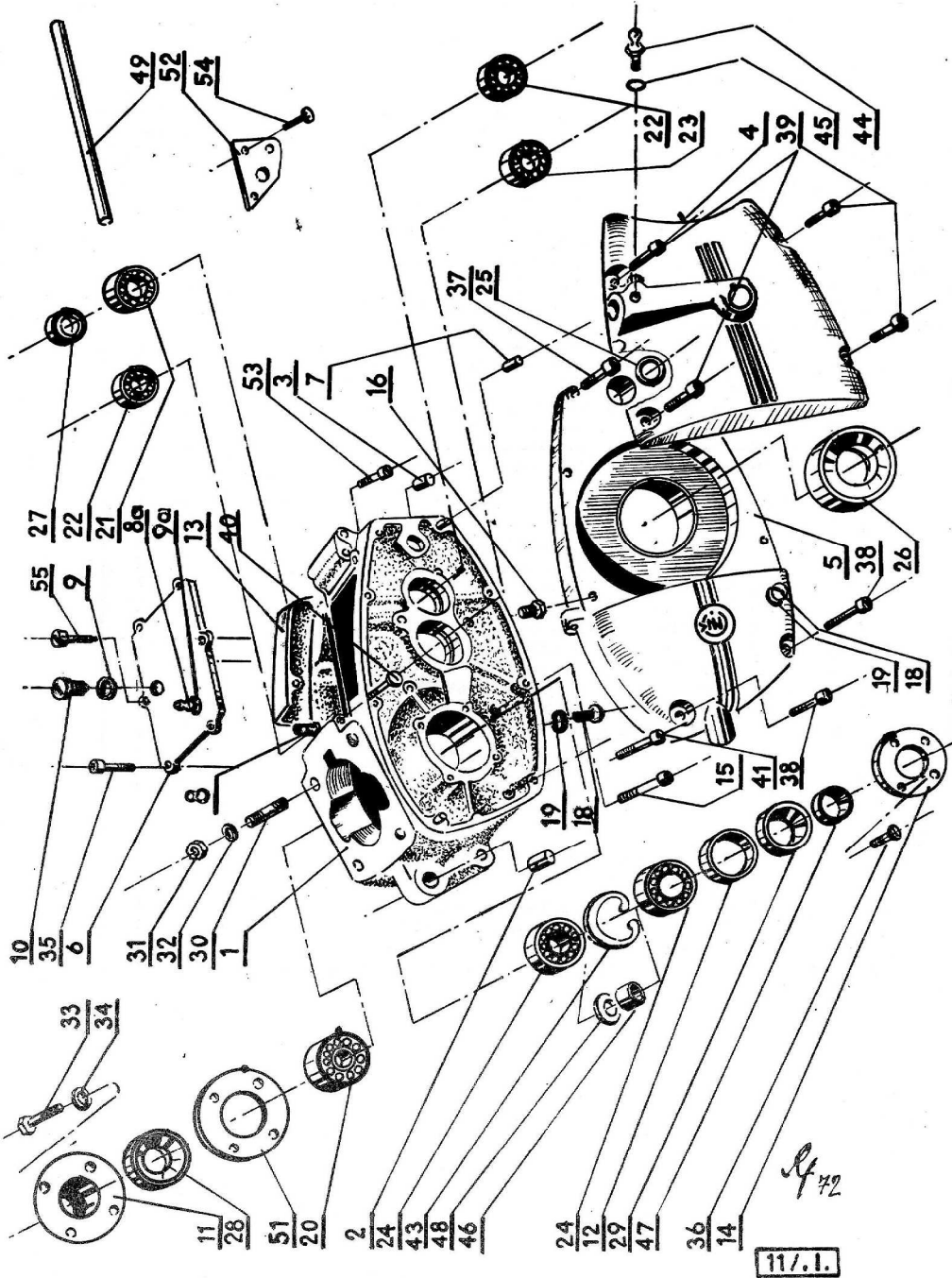


CRANKCASSE 11/I.

Item	Designation No.	Denomination	Pcs 988.0
	988-10-105	Engine assembly	1
1	988-11-060	Crankcase assembly	1
2	980-11-112	Bush, front	1
3	980-11-023	Bush, rear	1
4	980-11-640	Clutch cover, pressed	1
5	988-11-031	Engine cover, L. H.	1
6	980-24-243	Lid, top Valid till 31.12.73	1
6 a	980-24-223	Lid, top Valid from 1.1.74	1
7	968-11-020	Centring (dowel) bush	6
8	980-11-456	Breather body	2
9	355-24-055	Gasket - fibre	2
10	980-24-240	Screw of arrestment	1
11	980-11-086	Guffero cover	1
12	980-11-216	Guffero cover	1
13	988-22-064	R.H. Rear cover	1
14	980-11-019	Shim	1
15	980-11-030	Screw	4
16	980-11-034	Plug -	1
18	61 1131 2176	Screw M 8x8 ČSN 02 1131.24	2
19	61 9310 5006	Seal ring 8x14 ČSN 02 9310.5	2
20	60 0032 0500	Bearing 3205 B 3 ČSN 02 4665	1
21	60 0032 0400	Bearing 3204 C 3 ČSN 02 4665	1
22	60 0063 0200	Bearing 6302 C 3 ČSN 02 4637	2
23	60 0062 0400	Bearing 6204 C 3 ČSN 02 4636	1
24	60 0062 0500	Bearing 6205 C 3 ČSN 02 4636	2
25	61 9280 1024	Ring 24x20 ČSN 02 9280.1	1
26	61 9401 0500	Guffero 50x55x8 ÚN 02 9401.0	1
27	61 9401 0280	Guffero 28x38x7 ÚN 02 9401.0	1
28	61 9401 0251	Guffero 25x40x10 ÚN 02 9401.0	1
29	61 9401 0300	Guffero 30x40x7 ÚN 029401.0	1
30	61 1178 5249	Bolt M 10 sp 2x22 ČSN 02 1178.53	4

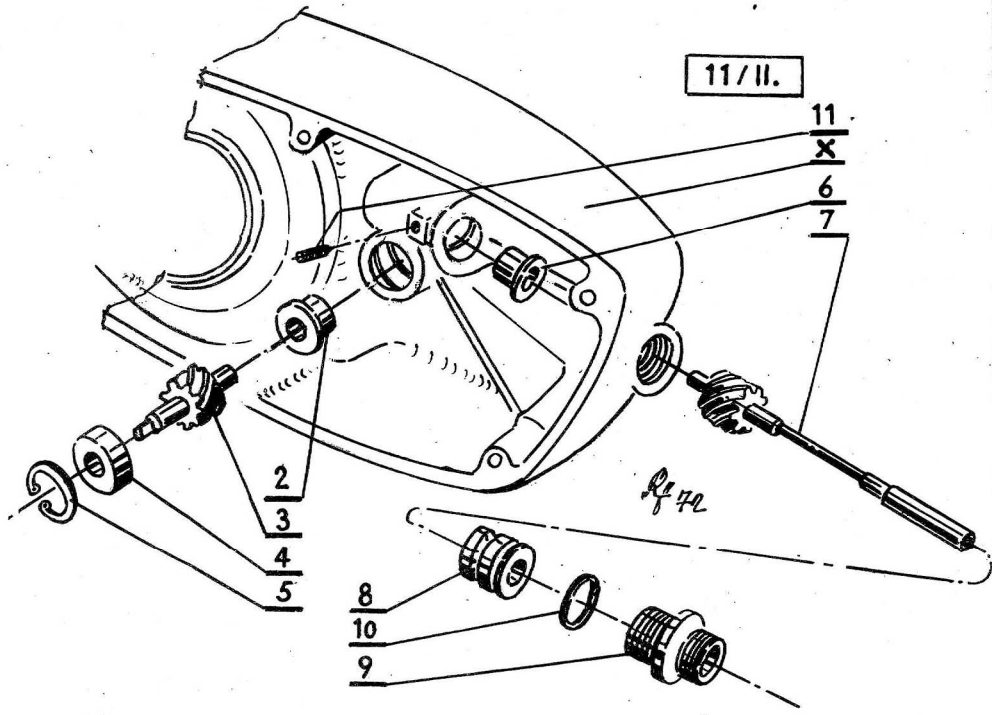
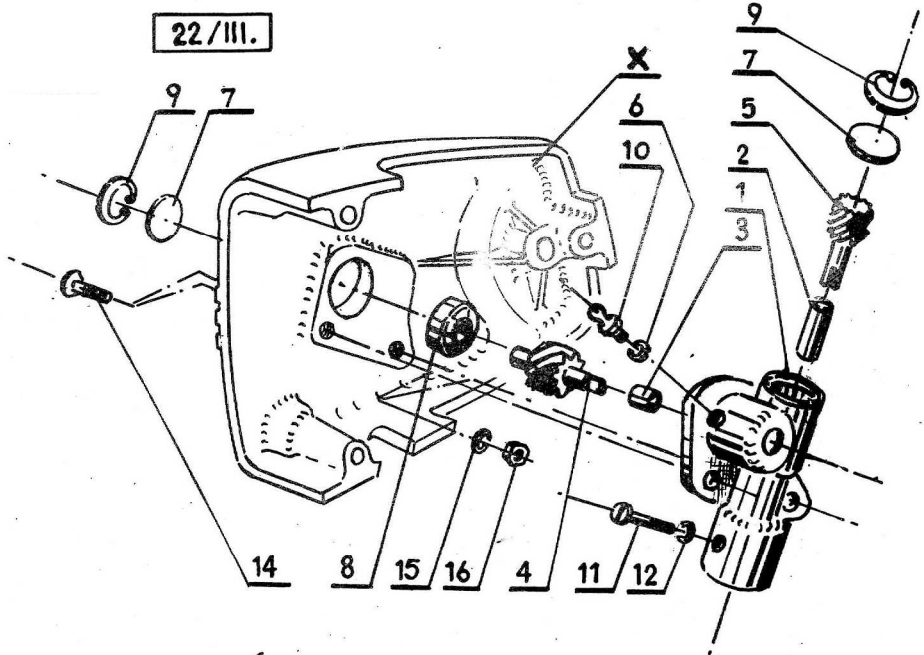
For Foot gear change mechanism 24/II.

	988-10-100	Engine assembly	1
1	988-11-050	Crankcase assembly	1
8 a	980-11-024	Breather body	1
9 a		Gasket fibre 12x16 ČSN 02 9310.5	2



CRANKCASE 11/I.

Item	Designation No.	Denomination	Pcs 988.0
31	61 1402 5010	Nut M 10 ČSN 02 1402.51	4
32	969-11-302	Washer	4
33	61 1131 2090	Screw SM 5x14 ČSN 02 1131.24	4
34	61 1740 0051	Washer 5.1 ČSN 02 1740.00	4
35	61 1131 2123	Screw SM 6x18 ČSN 02 1131.24	5
36	61 1151 2124	Screw M 6x20 ČSN 02 1151.24	4
37	61 1131 1133	Screw M 6x45 ČSN 02 1131.22	2
38	61 1131 1135	Screw M 6x55 ČSN 02 1131.22	2
39	61 1131 1136	Screw M 6x60 ČSN 02 1131.22	4
40	61 1131 2136	Screw M 6x60 ČSN 02 1131.24	1
41	61 1131 2134	Screw M 6x50 ČSN 021131.24	1
42	61 1740 0061	Washer 6.1 ČSN 02 1740.00	20
43	61 2931 0052	Lock ring 52 ČSN 02 2931	1
44	61 7421 0706	Plug KM 6 ČSN 02 7421.7	1
45	61 9310 5002	Seal 6x10 ČSN 02 9310.5	1
46	969-12-107	Spacer	1
47	980-12-659	Spacer ring	1
48	980-12-035	Shim	as necessary
49	980-11-071	Breather hose	2
50	980-11-072	Insulating tube	3
51	980-11-028	Seal	1
52	980-11-020	Shim	1
53	61 1131 2128	Screw M 6x30 ČSN 02 1131.24	2
54	61 2195 03	Barbed nail \varnothing 2x6 ČSN 02 2195	3
55	980-11-053	Lock screw	1



R.H. REAR COVER

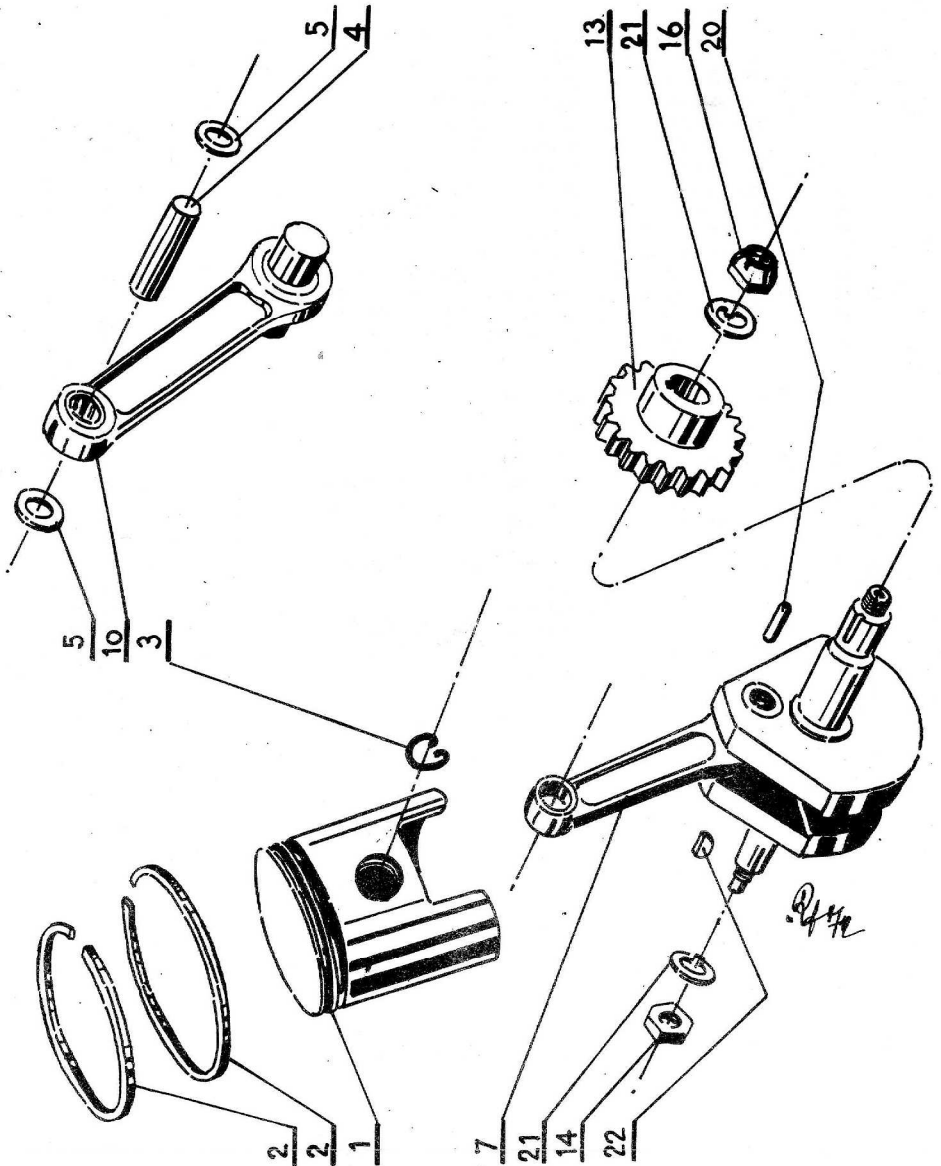
SPKEDOMETER DRIVE 22/III.

Item	Designation No.	Denomination	Pcs 988.0
x	988-22-064	R.H. Rear cover	1
1	988-22-065	Speedometer body	1
2	988-22-043	Bush, long	1
3	988-22-044	Bush, short	1
4	988-22-055	Shaft - 10 teeth	1
5	988-22-058	Shaft - 8 teeth	1
6	150-11-061	Washer	1
7	988-22-048	Plug	2
8	988-22-045	Guiding bush, assy	1
9	61 2931 0017	Circelip 17 ČSN 02 2931	2
10	61 7421 3367	Grease nipple KM 6 ČSN 02 7421.3	1
11	61 1101 2126	Screw M6x25 ČSN 02 1101.24	1
12	61 1740 0061	Washer 6,1 ČSN 02 1740.00	1
14	61 1151 2123	Screw M 6x18 ČSN 02 1151.24	1
15	61 1740 0061	Washer 6,1 ČSN 02 1740.00	1
16	61 1401 2006	Nut 6 ČSN 02 1401.24	1

L.H. COVER - RPM METER DRIVE 11/II.

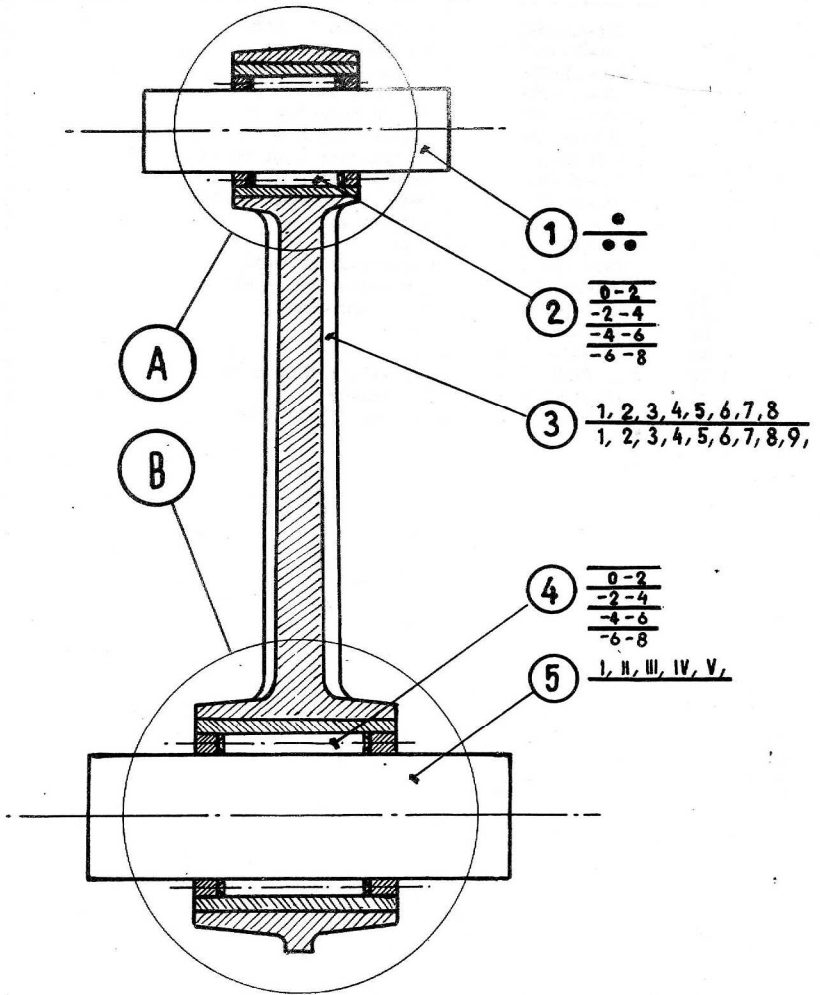
x	988-11-031	L.H. Cover	1
2	988-11-037	Bush	1
3	988-11-035	Driving shaft - 3 teeth	1
4	988-11-038	Bush	1
5	61 2931 0019	Circelip ČSN 02 2931	1
6	988-11-045	Bush	1
7	988-11-055	Driven shaft - 12 teeth	1
8	988-11-052	Bandring	1
9	988-11-043	Shaft guide	1
10	61 9281 0008	Ring 18x2 ČSN 02 9281.2	1
11	61 1185 2030	Screw M 3x8 ČSN 02 1185.24	1

12



CRANKSHAFT 12

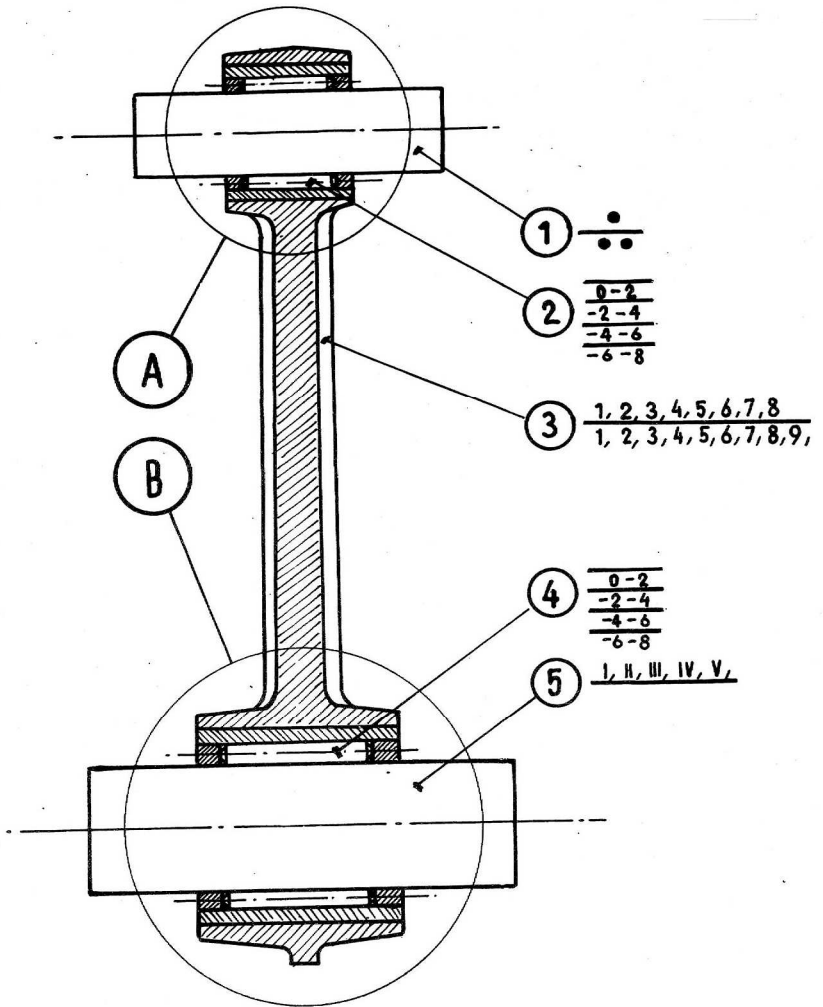
Item	Designation No.	Denomination	Pcs 988-0
1	980-12-082	Piston dia 70 METAZ	1
	980-12-083	Piston 1 st rebore 70,25	1
	980-12-084	Piston 2 nd rebore 70,50	1
	980-12-085	Piston 3 rd rebore 70,75	1
2	980-12-385	Piston ring dia 70	2
	980-12-386	Piston ring 1 st rebore 70,25	2
	980-12-387	Piston ring 2 nd rebore 70,50	2
	980-12-388	Piston ring 3 rd rebore 70,75	2
3	980-12-019	Securing circlip \emptyset 18x1,5	2
4	980-12-021	Gudgeon pin	1
5	980-12-314	Shim	2
7	980-12-650	Crankshaft assembly	1
10	980-12-320	Connecting rod (set)	1
13	980-12-657	Chain sprocket	1
14	980-12-022	Nut	1
16	988-12-011	Nut	1
20	61 2512 0321	Key 6x6x18 ČSN 02 2512	1
21	971-12-226	Tab washer	2
22	61 1385 0305	Key 3x5 ČSN 30 1385.11	1



SPECIAL SPARE PARTS - CONNECTING ROD (SET)

980-12-320

Item	Designation	Denomination	Marking	Pcs -
1	980-12-021	Gudgeon pin		1
2	INA Zg O/F 34020	Needle cage INA KBK 18x22x24 F	0 - 2 -2 - 4 -4 - 6 -6 - 8	1
3	980-12-311	Connecting rod Marking of the small end Marking of the big end	1,2,3,4,5,6,7,8 1,2,3,4,5,6,7,8,9	1
4	980-12-303	Crank pin	I,II,III,IV,V	1
5	INA Zg NR-F 29695	Needle cage INA KZK 22x29x16 FM	0 - 2 -2 - 4 -4 - 6 -6 - 8	1



CLASSIFICATION OF CONNECTING ROD SMALL END, NEEDLE BEARINGS, PISTON PIN A

Piston pin	CONNECTING ROD															
	1		2		3		4		5		6		7		8	
K	V	K	V	K	V	K	V	K	V	K	V	K	V	K	V	
•	0-8	0-14	0-8	0-16	4-6	0-14	4-6	0-16	2-4	0-14	2-4	0-16	0-2	0-14	0-2	8-16
••	0-8	0-16	4-6	0-14	4-6	0-16	2-4	0-14	2-4	0-16	2-4	0-14	0-2	0-16	0-2	8-16

K = retainer INA

V = clearance 8-16 = 0.008-0.016

6-14 = 0.008-0.014

CLASSIFICATION OF THE CONNECTING ROD BIG END, RETAINER AND JOURNAL B

Crank-shaft journal	CONNECTING ROD																	
	1		2		3		4		5		6		7		8		9	
K	V	K	V	K	V	K	V	K	V	K	V	K	V	K	V	K	V	
I.	—	—	0-8	23-31	0-8	25-33	0-8	27-35	4-6	23-31	4-6	25-33	2-4	27-35	2-4	25-33	0-2	25-33
II.	0-8	23-31	0-8	25-33	0-8	27-35	4-6	23-31	4-6	25-33	4-6	27-35	2-4	25-33	2-4	27-35	0-2	25-33
III.	0-8	25-33	0-8	27-35	4-6	25-33	4-6	27-35	2-4	25-33	2-4	27-35	0-2	25-33	0-2	27-35	—	—
IV.	0-8	27-35	4-6	25-33	4-6	27-35	2-4	23-31	—	2-4	25-33	2-4	27-35	0-2	23-31	—	—	—
V.	4-6	25-33	4-6	27-35	2-4	25-33	2-4	27-35	0-2	25-33	0-2	27-35	—	—	—	—	—	—

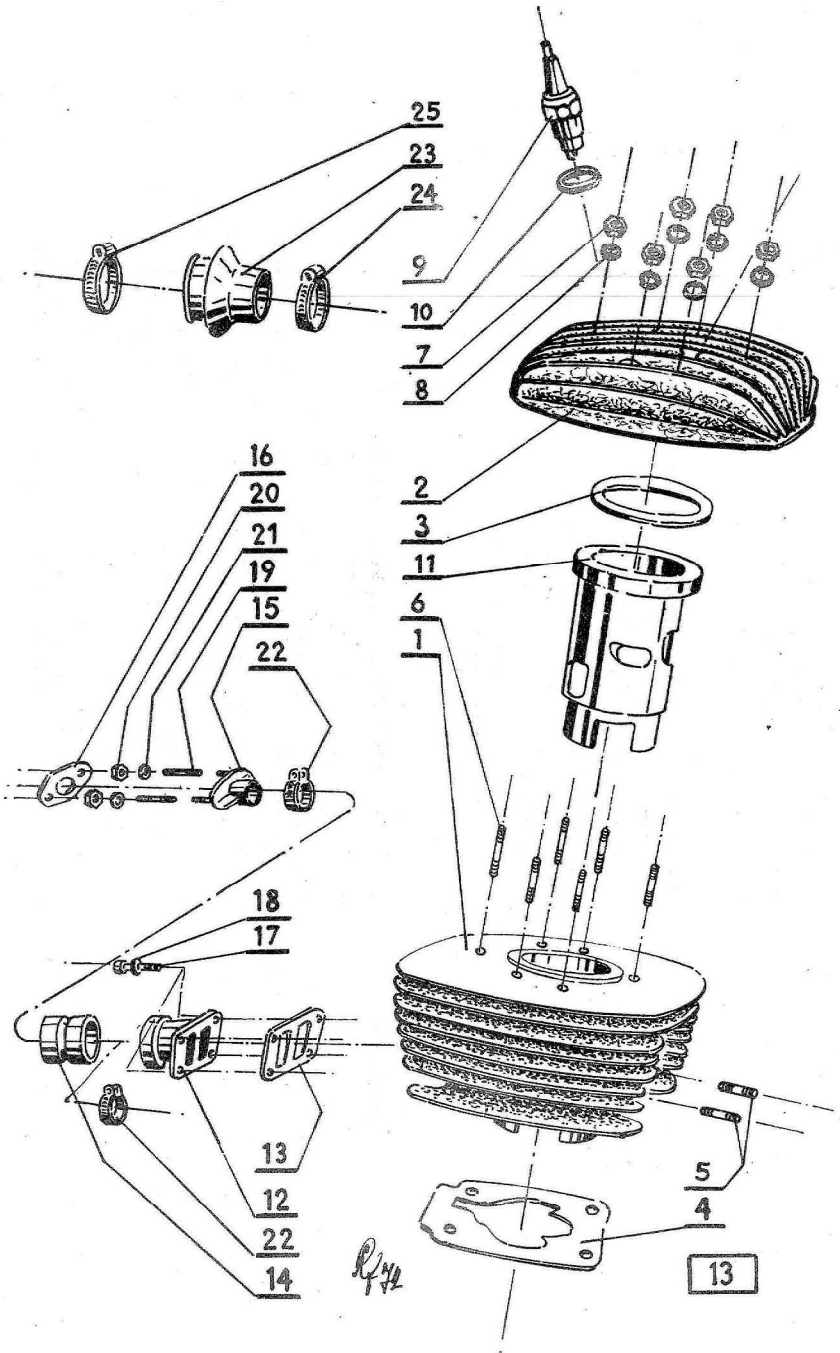
K = retainer INA

V = clearance

23-31 = 0.023-0.031

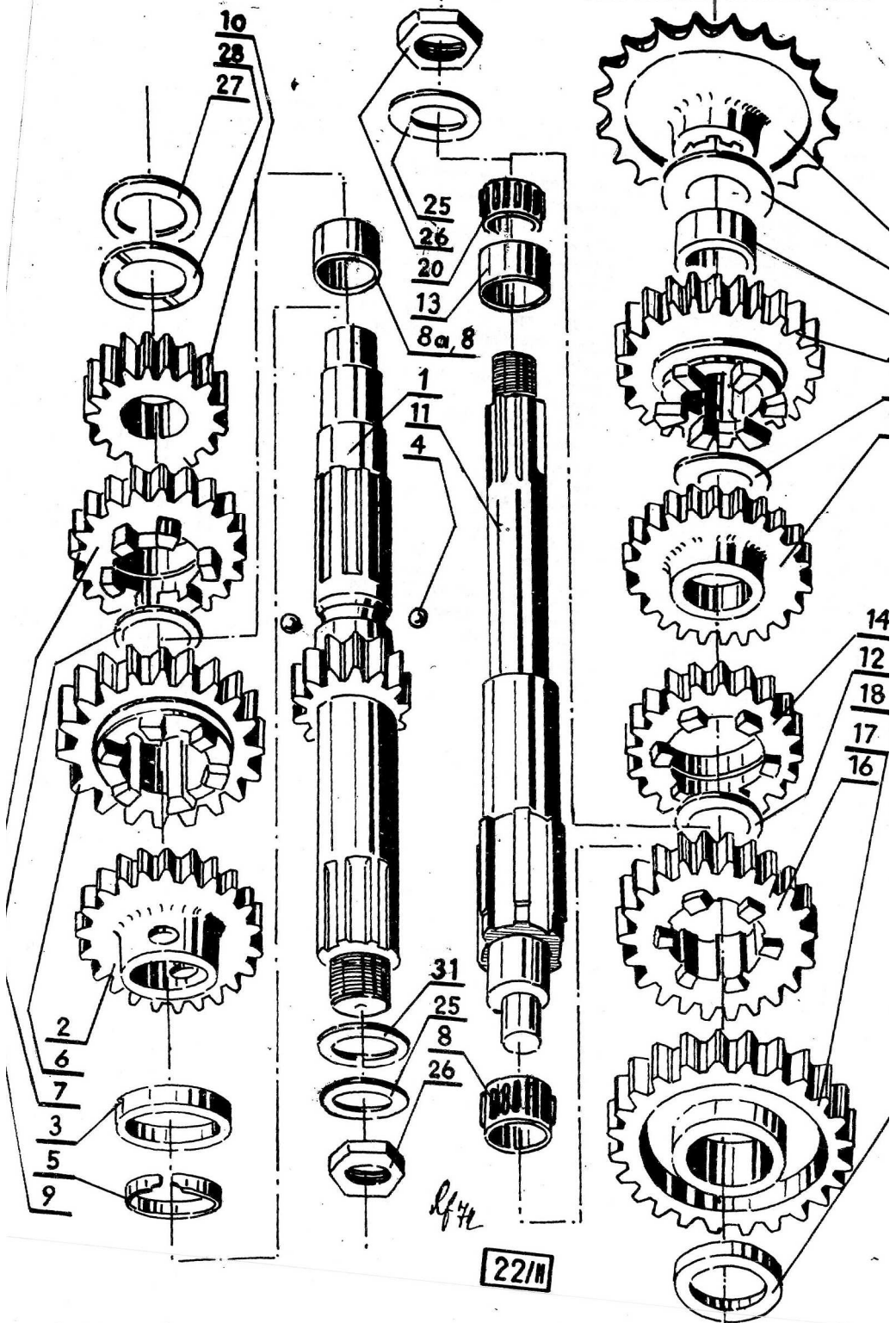
25-33 = 0.025-0.033

27-35 = 0.027-0.035



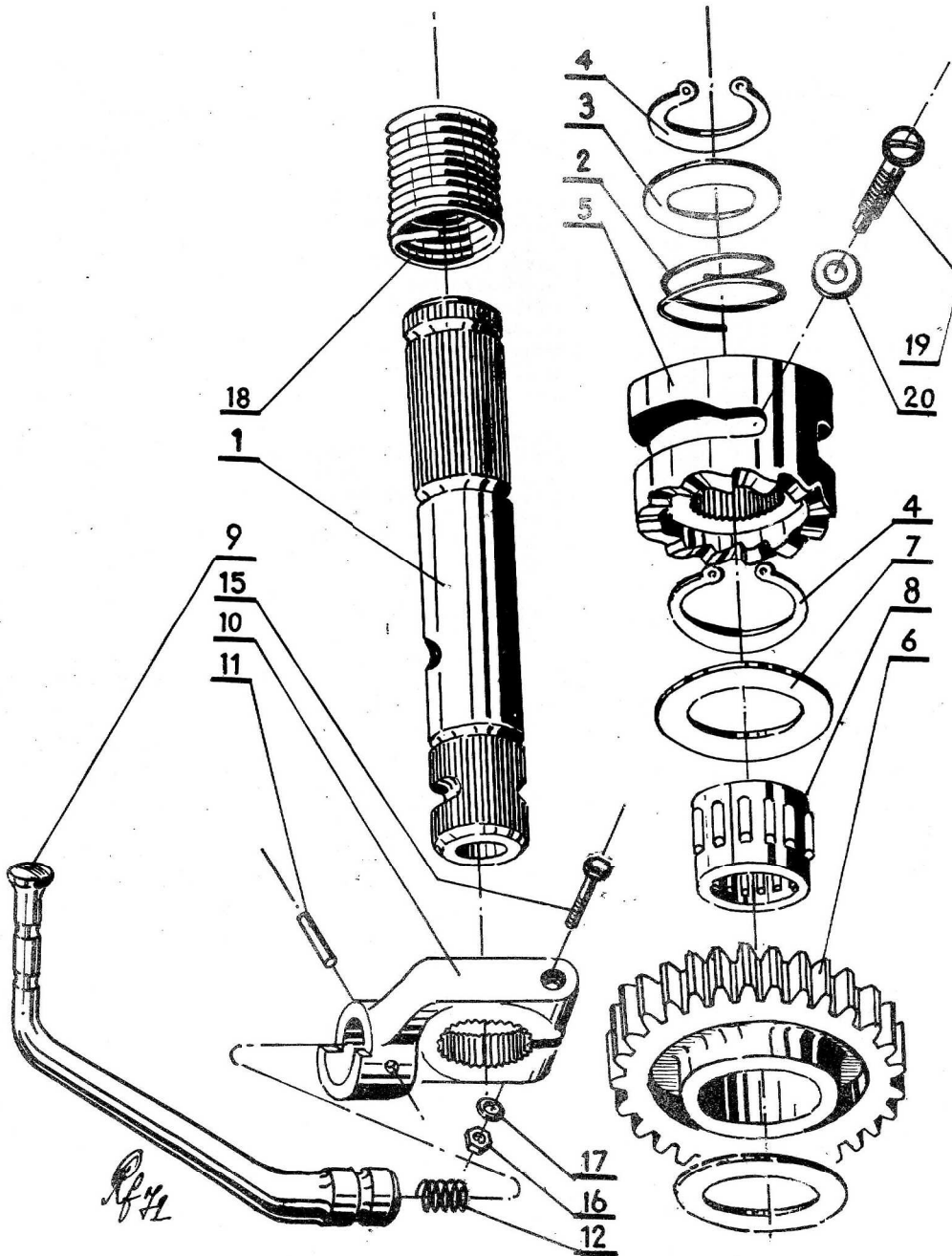
CYLINDER WITH HEAD 13

Item	Designation No.	Denomination	Pcs 988.0
1	980-13-250	Cylinder with insert	1
2	988-13-015	Cylinder head	1
3	980-13-125	Cylinder head gasket	1
4	980-13-126	Cylinder barrel gasket	1
5	61 1178 5182	Bolt M 8 Sp 2x18 ČSN 02 1178.53	2
6	61 1178 5189	Bolt M 8 Sp 2x35 ČSN 02 1178.53	6
7	61 1401 2008	Nut M 8 ČSN 02 1401.24	6
8	61 1701 2084	Washer 8,4 ČSN 02 1701.04	6
9	69 4141 1446	Spark plug PAL 14-9-R	1
10	69 1419 4014	Spark plug seal ring Ø 14	1
11	980-13-121	Insert	1
12	980-16-211	Intake branch dia 34	1
13	969-16-618	Flange gasket	1
14	980-16-212	Rubber sleeve	1
15	980-16-214	Branch dia 34	1
16	969-16-617	Intake branch gasket	1
17	61 1143 6185	Bolt M 8x25 ČSN 02 1143.54	4
18	61 1744 0084	Washer 8,4 ČSN 02 1744.00	4
19	980-16-215	Stud bolt	2
20	61 1401 2008	Nut M 8 ČSN 02 1401.24	2
21	61 1701 0084	Washer 8,4 ČSN 02 1701.04	2
22	980-16-123	Connecting strap	2
23	980-16-020	Rubber branch	1
24	980-16-121	Clip	1
25	968-41-112	Clip	1



TRANSMISSION 22/II.

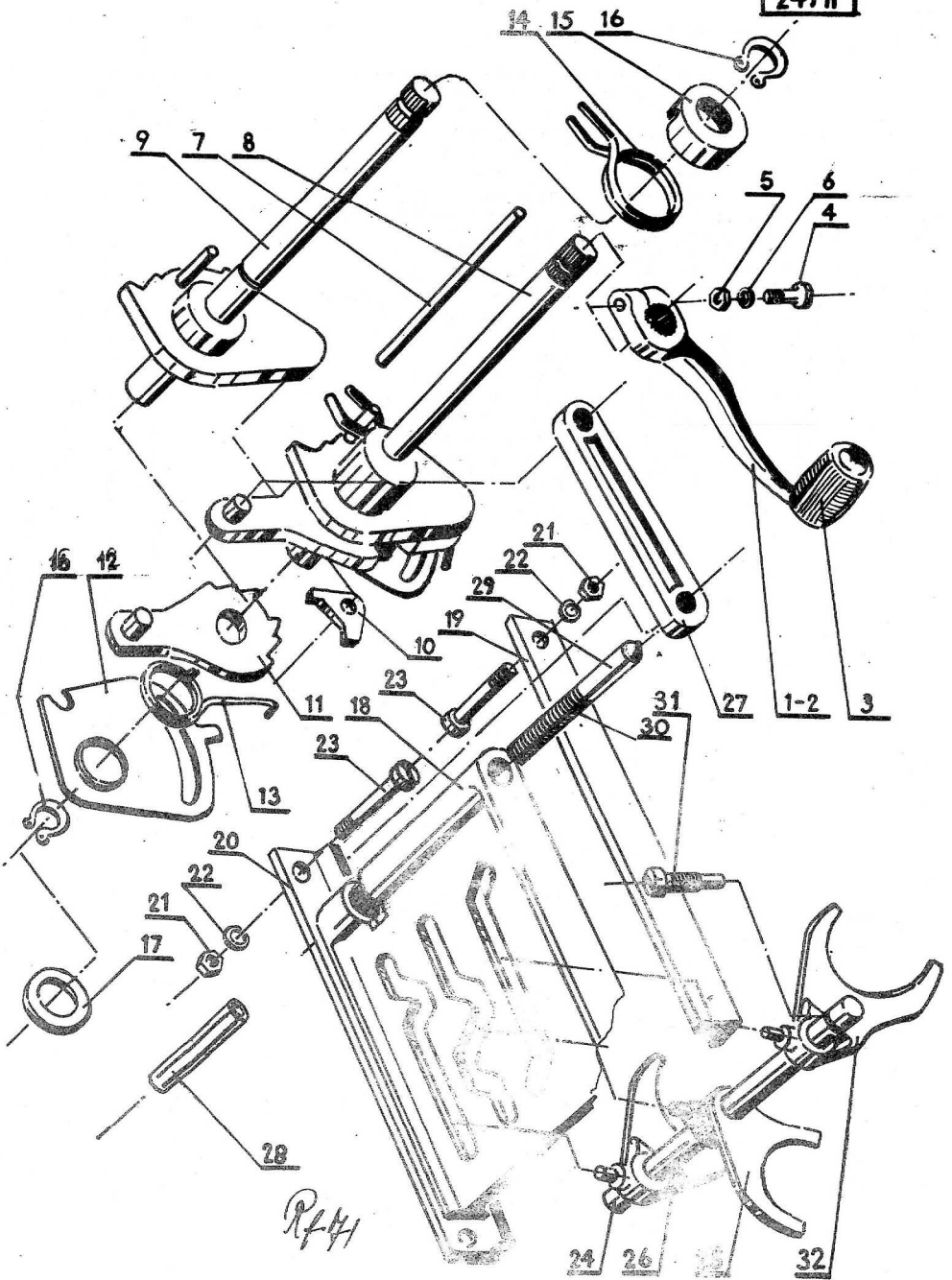
Item	Designation No.	Denomination	Pcs 988.0
1	988-22-012	Driving shaft - 9 teeth	1
2	988-22-062	Driving gear III - 15 teeth	1
3	984-22-034	Ring	1
4	61 3680 3010	Bolt Ø 4 ČSN 02 3680	2
5	984-22-033	Securing spring	1
6	988-22-064	Driving gear V 19 teeth	1
7	971-22-016	Adjuster plate	1
8	61 3693 0090	Needle bearing 18x22x13 ZKL	2
9	988-22-063	Driving gear IV - 17 teeth	1
10	988-22-061	Driving gear II - 13 teeth	1
11	988-22-022	Driven shaft	1
12	984-22-032	Adjuster plate	1
13	61 3693 0093	Needle bearing K 22x26x17 INA	1
14	988-22-069	Driven gear V - 19 teeth	1
15	988-22-068	Driven gear IV-20 teeth	1
16	988-22-067	Driven gear III-22 teeth	1
17	984-22-026	Driven gear I - 28 teeth	1
18	984-22-027	Shim	1
19	984-22-028	Washer	1
20	61 3693 0088	Needle bearing K 22x26x17 INA	1
21	984-22-029	Ring	1
22	988-22-066	Driven gear II 25 teeth	1
23	969-22-048	Adjuster plate 0,16	as necessary
24	969-22-049	Adjuster plate 0,3	as necessary
25	980-22-036	Lock washer	2
26	980-22-037	Nut	2
27	969-22-046	Adjuster plate 0,16 ± 0,02	as necessary
28	968-22-022	Adjuster plate 0,3	as necessary
29	988-22-071	Chain sprocket 17 teeth	1
	988-22-072	Chain sprocket 18 teeth	1
	988-22-073	Chain sprocket 19 teeth	1
30	61 3311 1421	Chain ČZ 1x15, 876x6, 48 108 čl	1
31	984-22-036	Washer	1



KICK STARTER 22/III.

Item	Designation No.	Denomination	P c s 988.0
1	980-22-101	Starter shaft	1
2	45 5500.11	Dog spring	1
3	980-22-105	Dog shim	1
4	61 2930 0019	Cirolip 19 ČSN 02 2930	1
5	980-22-102	Starter dog	1
6	984-22-038	Starter gear 20 teeth	1
7	980-22-104	Starter gear shim	2
8	61 3693 0093	K-20-26-17 needle bearing ZEL	1
9	980-22-095	Kick starter lever	1
10	980-22-076	Lever hub	1
11	968-22-314	Pin	1
12	968-22-315	Spring	1
15	61 1201 1159	Bolt M 7x32 ČSN 02 1201.20	1
16	61 1402 1007	Nut M 7 ČSN 02 1401.20	1
17	61 1740 0072	Spring washer dia 7.2 ČSN 02 1740.00	1
18	980-22-505	Starter key	1
19	980-22-220	Releasing bolt	1
20	355-11-151	Seal	1

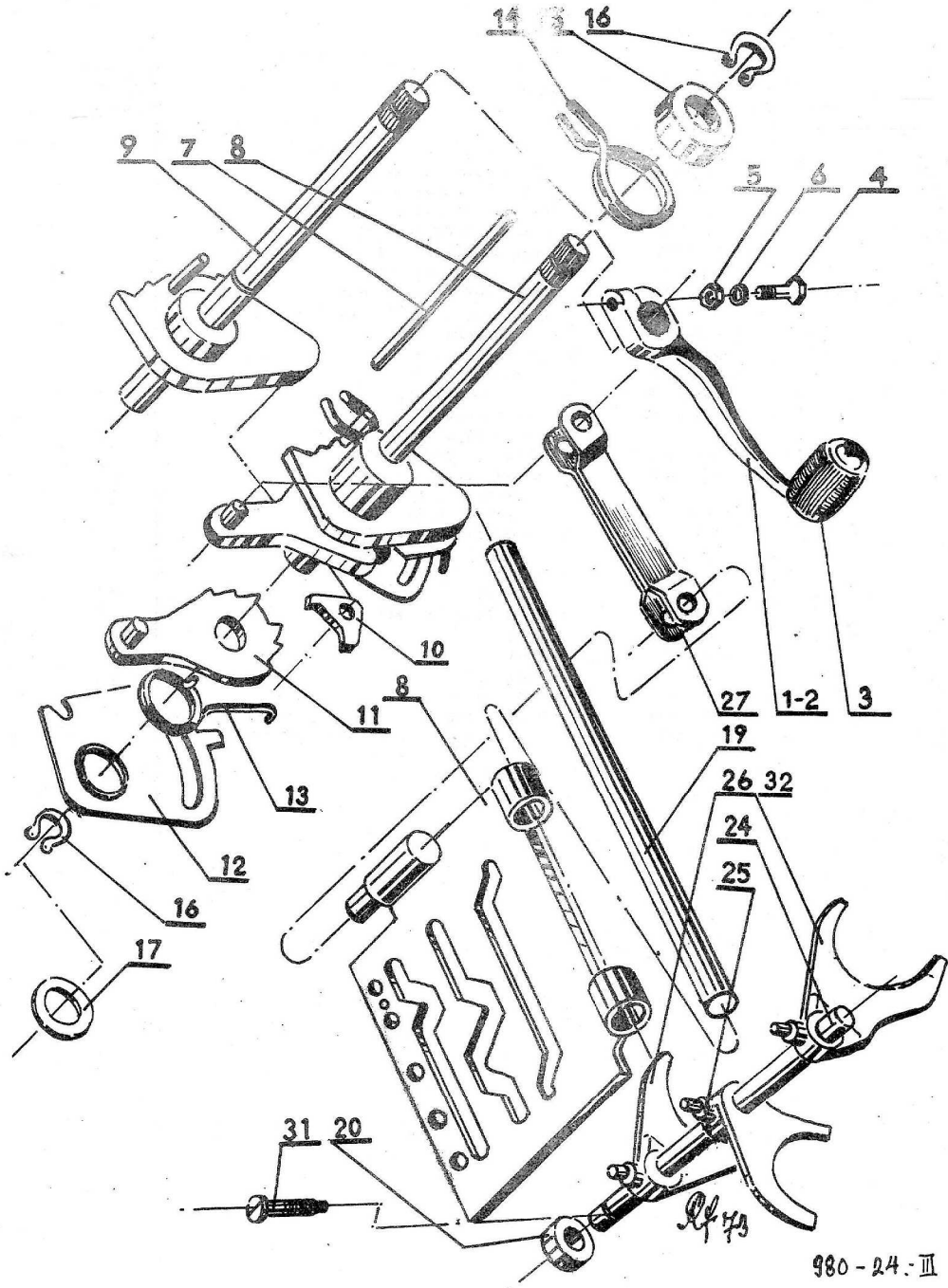
24/II



FOOT GEAR CHANGE MECHANISM 24/II.

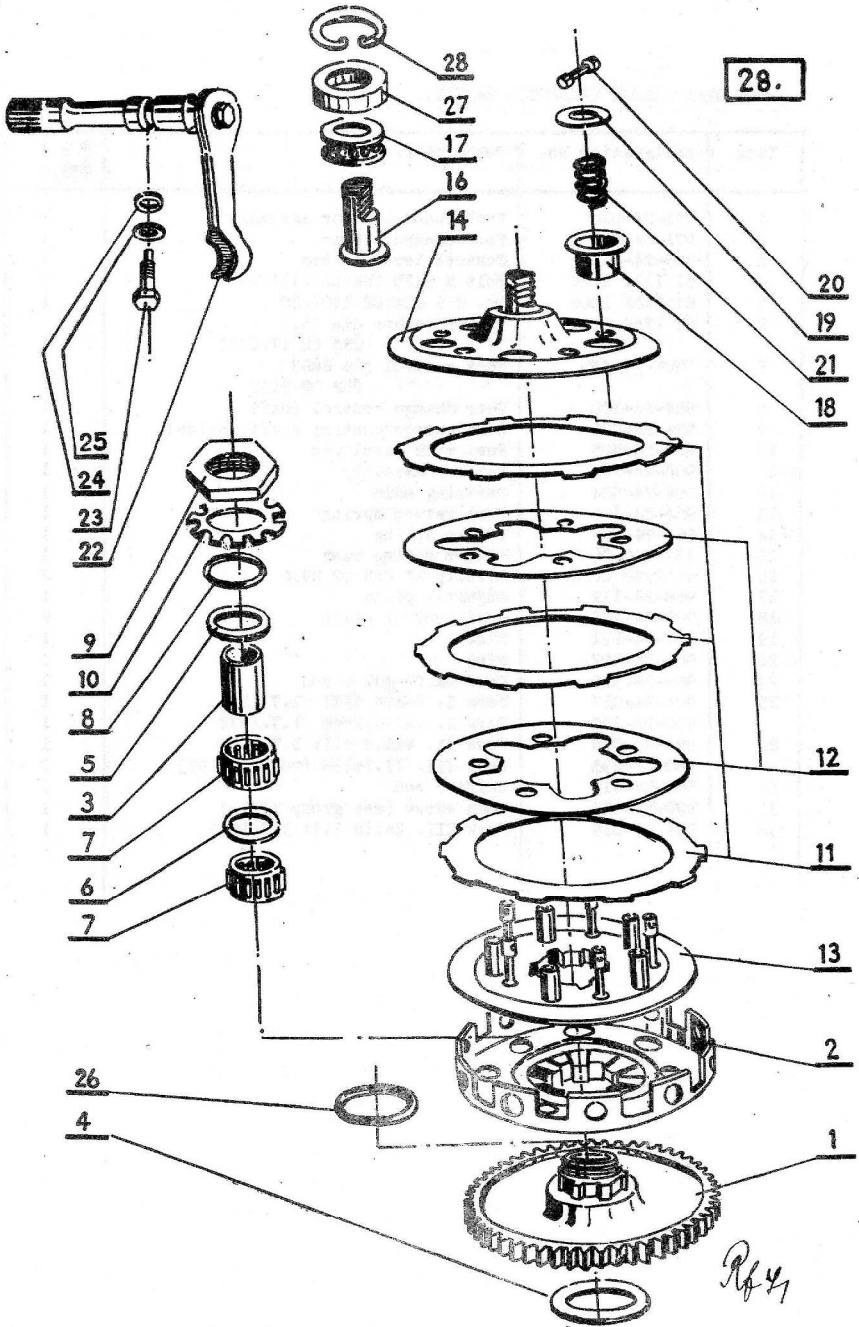
Item	Designation No.	Denomination	986.0
1	971-24-010	Foot control lever assembly	1
2	971-24-013	Foot control lever	1
3	355-24-012	Control lever sleeve	1
4	61 1131 2126	Bolt M 6x25 ČSN 02 1131.20	1
5	61 1401 2006	Nut M 6 ČSN 02 1401.20	1
6	61 1740 0061	Spring washer dia. 6,1 ČSN 02 1740.00	1
7	968-24-023	Foot control pin	1
8	984-24-100	Gear change control shaft	1
9	984-24-025	Gear change control shaft, welded	1
10	968-24-505	Pawl with dowel pin	1
11	984-24-020	Ratchet assembly	1
12	964-24-504	Centring shim	1
13	964-24-105	Pawl return spring	1
14	964-24-106	Return spring	1
15	45-7400-00	Return spring bush	1
16	61 2930 0012	Circclip 12 ČSN 02 2930	2
17	968-24-112	Adjuster plate	1
18	984-24-011	Foot control plate	1
19	984-24-012	Plate guide, L.H.	1
20	968-24-512	Plate guide, R.H.	1
21	61 1403 2006	Nut M 6 ČSN 02 1403.24	4
22	61 1701 2064	Washer 6,4 ČSN 02 1701.04	4
23	980-24-516	Guide bolt	4
24	968-24-520	Gear shift guide rod	1
25	984-24-017	Fork I.	1
26	984-24-018	Fork II.	1
27	980-24-527	Shifter rod	1
28	968-24-526	Shifter rod pin	1
29	968-24-530	Interlock pawl	1
30	968-24-531	Interlock spring-see group ENGINES	
		item 10	1
31	980-11-053	Lock screw - see group 11/1	1
32	984-24-019	Fork III.	1

24/III



FOOT GEAR CHANGE MECHANISM 24/III.

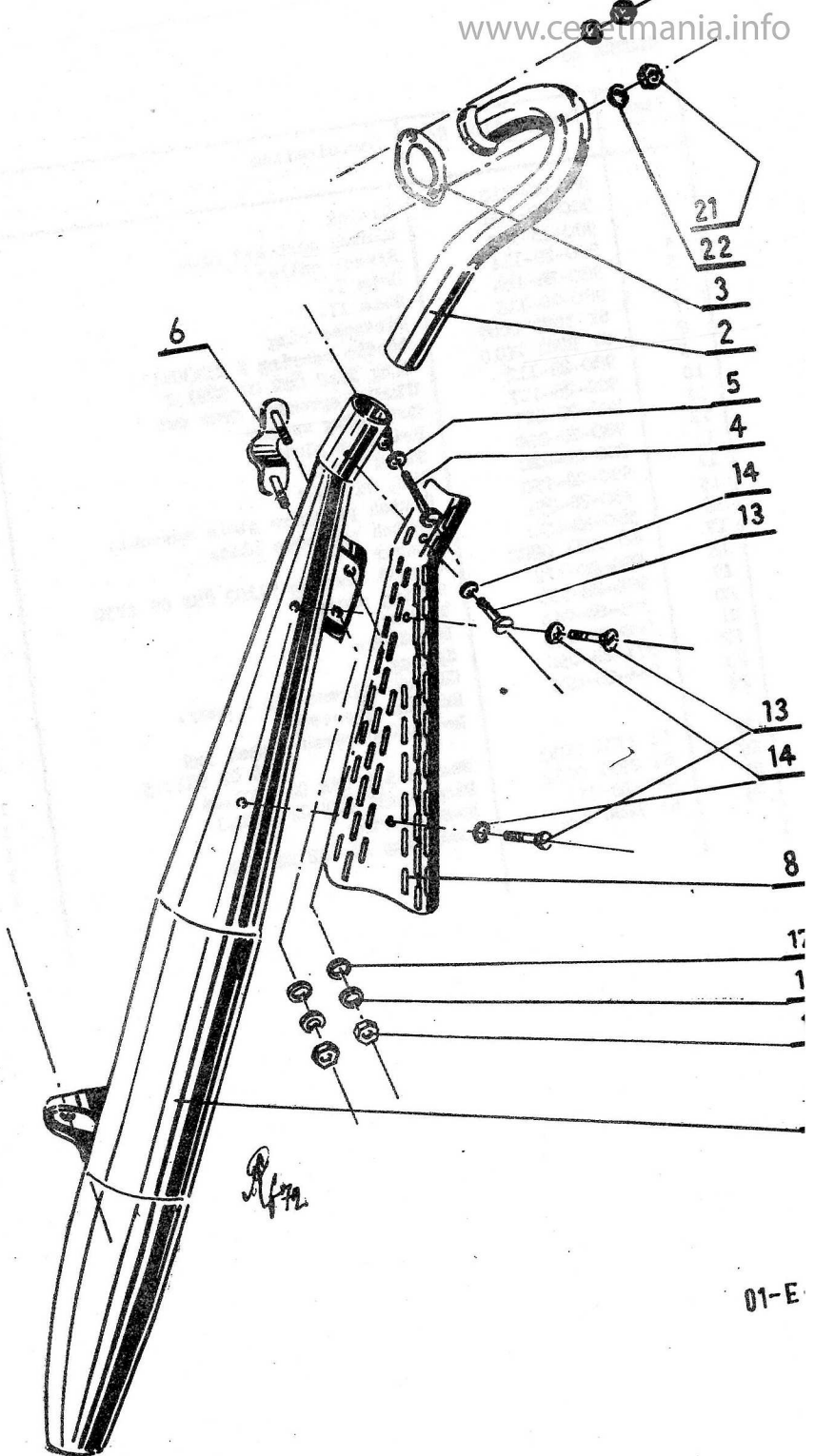
Item	Designation No.	Denomination	Pcs 988.0
1	971-24-010	Foot control lever assembly	1
2	971-24-013	Foot control lever	1
3	355-24-012	Control lever sleeve	1
4	61 1131 2126	Bolt M 6x25 ČSN 02 1131.20	1
5	61 1401 2006	Nut M 6 ČSN 02 1401.20	1
6	61 1740 0061	Spring washer dia 6,1 ČSN 02 1740.00	1
7	980-24-051	Foot control pin 6x63 ČSN 02 2152	1
8	984-24-100	Gear Change control shaft	1
9	984-24-025	Gear change control shaft, welded	1
10	968-24-505	Pawl with dowel pin	1
11	980-24-205	Ratchet assembly	1
12	964-24-504	Centring shim	1
13	964-24-105	Pawl return spring	1
14	964-24-106	Return spring	1
15	45-7400-00	Return spring bush	1
16	61 2930 0012	Circlip 12 ČSN 02 2930	2
17	968-24-112	Adjuster plate	1
18	980-24-210	Foot control plate	1
19	980-24-221	Guide	1
20	980-24-222	Ring	1
24	968-24-520	Gear shift guide rod	1
25	984-24-017	Fork I. Valid till 1.7.1973	1
	980-24-230	Fork I. Valid from 1.7.1973	1
26	984-24-018	Fork II. Valid till 1.7.1973	1
	980-24-235	Fork III. II.Valid from 1.7.1973	2
27	980-24-215	Shifter rod	1
31	980-11-053	Lock screw (see group 11/I.)	1
32	984-24-019	Fork III. Valid till 1.7.1973	1



CLUTCH 28

Item	Designation No	Denomination	Pos 988.0
1	980-28-210	Clutch	1
2	980-28-108	Clutch sprocket drum	1
3	980-28-113	Spacer collar	1
4	980-28-114	Shim I.	1
5	980-28-104	Shim II.	1
6	980-28-116	Distance ring	1
7	61 3693 0087	Needle bearing K 25x30x13	2
8	61 9281 2010	Ring 26x2 ČSN 02 9281.2	1
9	980-28-112	Clutch sprocket drum nut	1
10	980-28-117	Retaining washer	1
11	980-28-227	Friction plate	4
12	980-28-228	Steel plate	3
13	980-28-220	Hub, riveted	1
14	980-28-250	Clutch pressure plate assembly	1
15	980-28-251	Clutch pressure plate	1
16	980-28-252	Chaser	1
17	60 0511 0200	Thrust bearing 51102 ČSN 02 4730	1
18	980-28-222	Spring plate	3
19	980-28-536	Washer	5
20	355-28-045	Dowel pin	5
21	980-28-150	Spring	5
22	971-28-050	Clutch release pin - assy.	1
23	964-28-025	Retaining screw	1
24		Retaining screw washer 5x9 ČSN 02 9310.5	1
25	61 1701 2053	Washer 5,3 ČSN 02 1701.04	1
28	61 2931 0032	Ring 43x35 ČSN 02 9280.1	1
27	980-28-253	Bush bearing	1
26	61 9280 1043	Lock ring 32 ČSN 02 2931	1

01

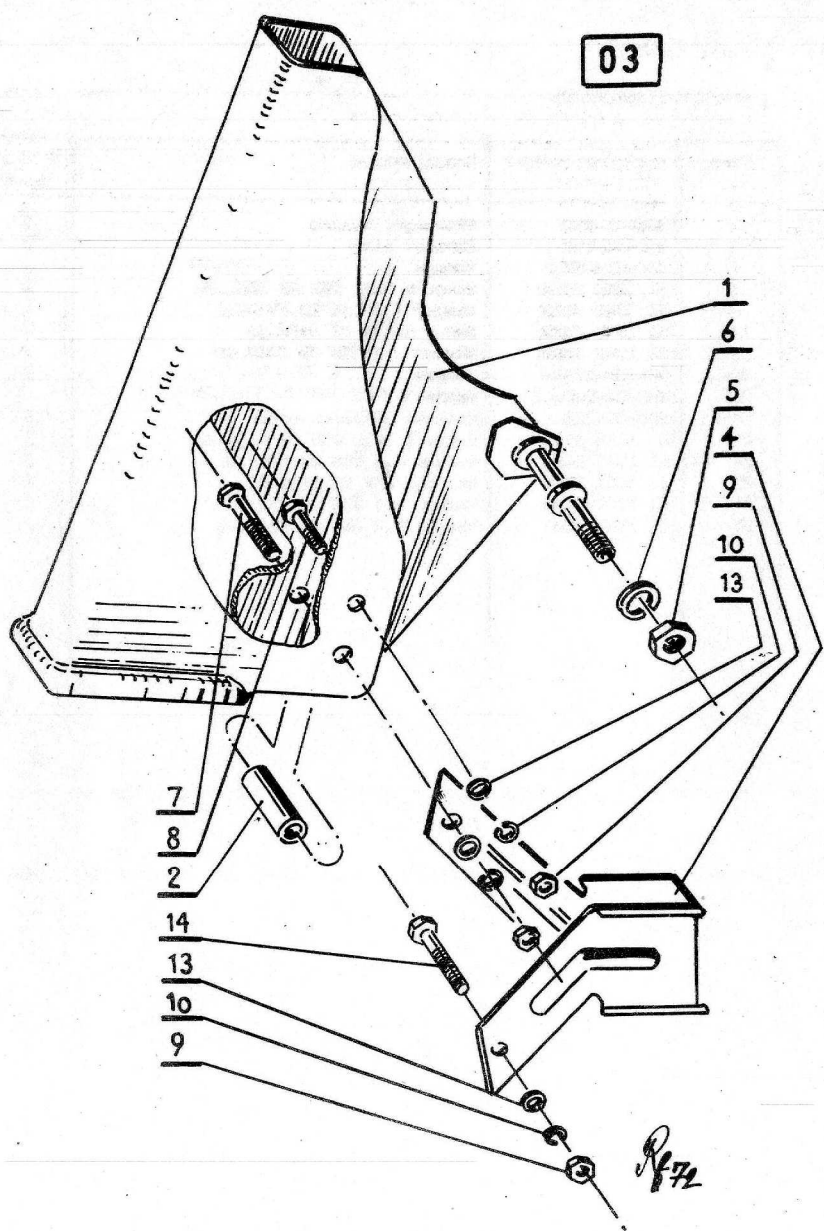


01-E

EXHAUST SILENCER 01

Item	Designation No	Denomination	P c s 988.0
1	988-01-050	Silencer, welded	1
3	980-01-050	Exhaust pipe	1
4	980-01-052	Flange	1
7	61 1201 2154	Screw M 7x20 ČSN 02 1201.24	1
8	61 1740 0072	Washer 7,2 ČSN 02 1740.00	1
12	61 1402 2008	Nut M 8 ČSN 02 1402.24	2
13	61 1740 0082	Washer 8,2 ČSN 02 1740.00	2
20	988-01-015	Socket	1
21	988-01-047	Washer	1
22	988-01-125	Exhaust silencer cover	1
23	61 1135 1118	Screw M 6x10 ČSN 02 1135.22	3
24	61 1745 1064	Washer 6,4 ČSN 02 1745.02	3
25	61 1401 2006	Nut M 6 ČSN 02 1401.02	2
26	61 1701.2064	Washer 6,4 ČSN 02 1701.04	2
27	61 1740 0061	Washer 6,1 ČSN 02 1740.00	2

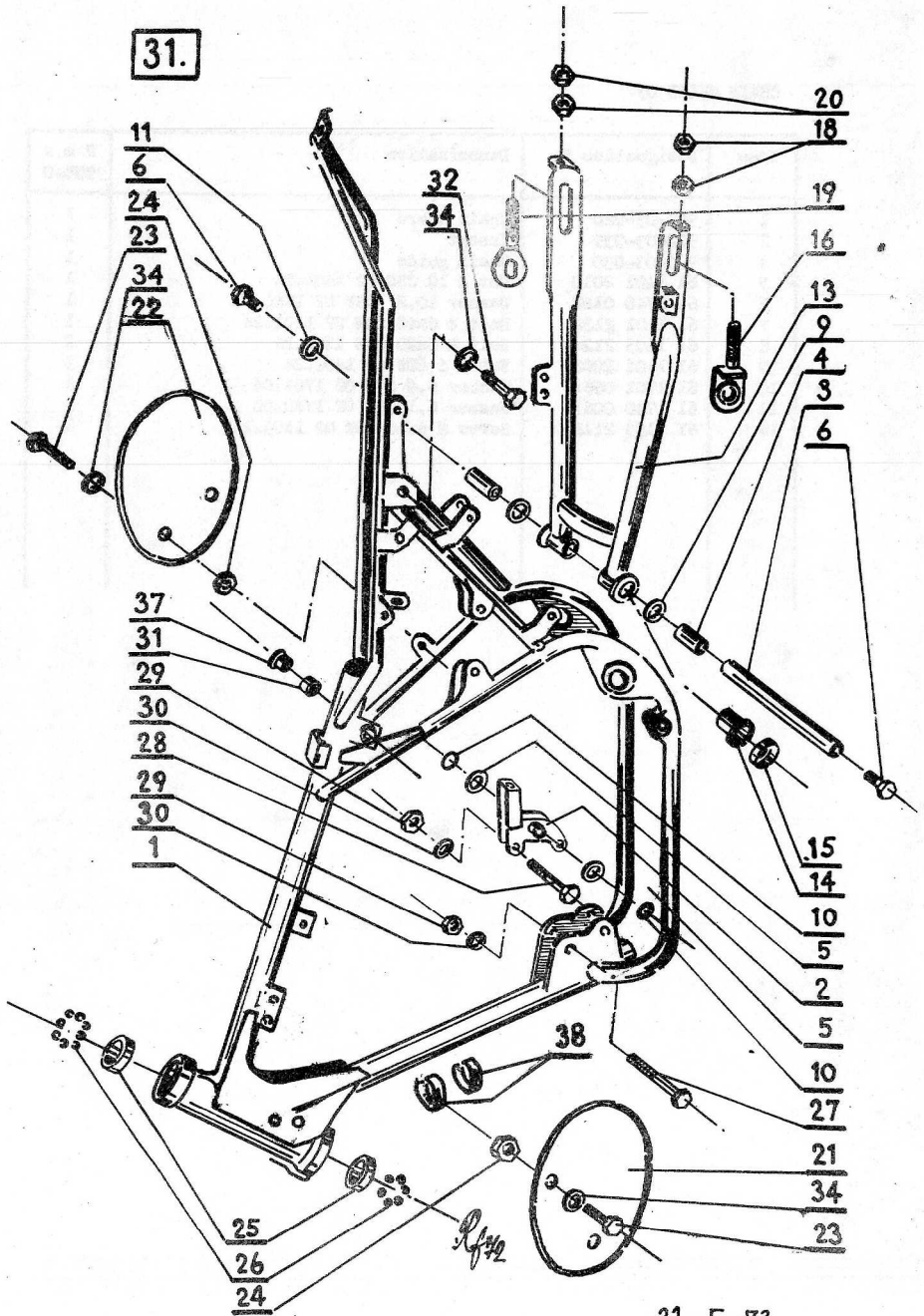
03



03-E-73

CHAIN GUARD 03

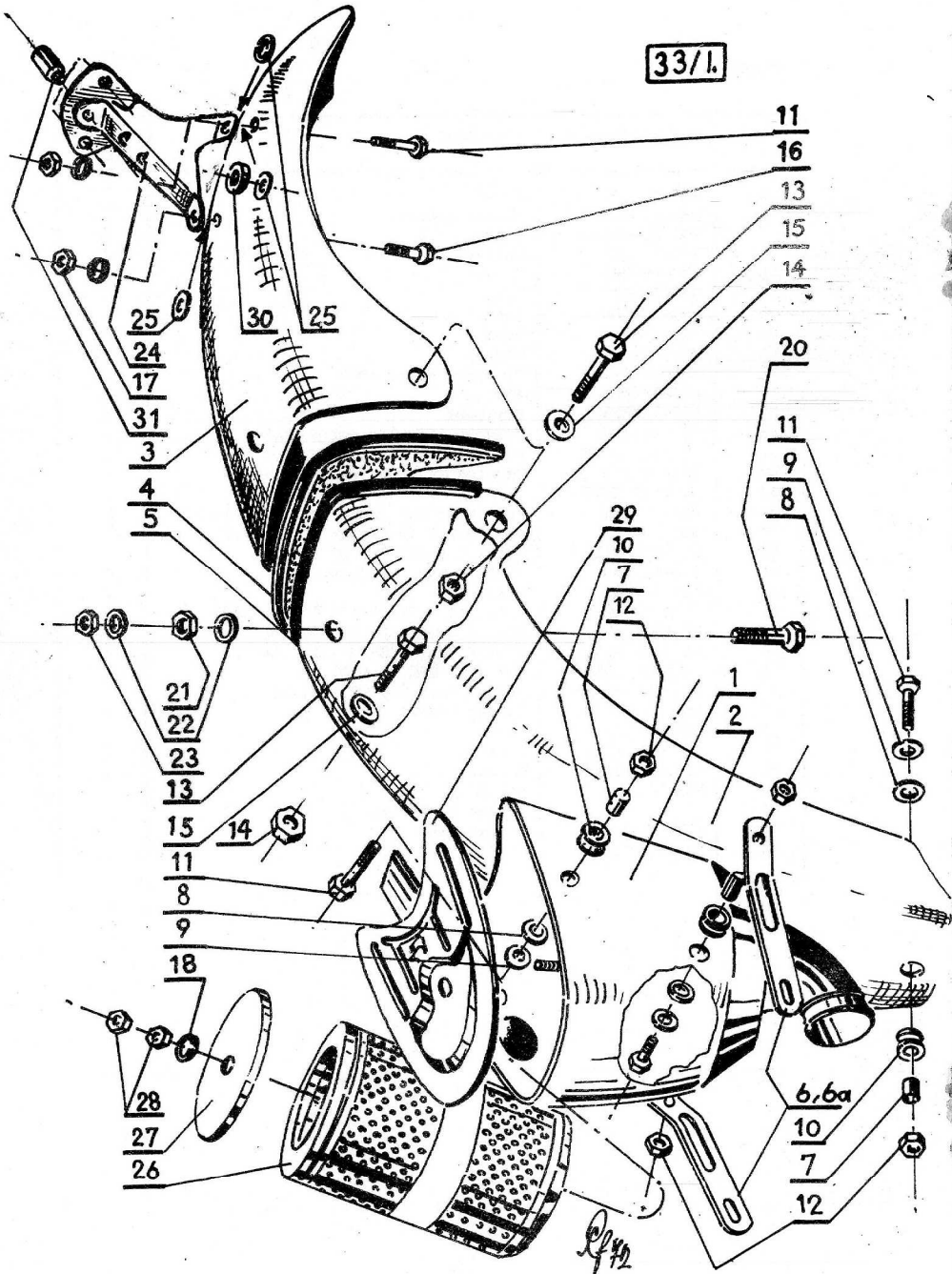
Item	Designation No	Denomination	Pcs 988-0
1	988-03-020	Chain guard	1
2	980-03-035	Insert	1
4	980-03-030	Chain guide	1
5	61 1401 2010	Nut M 10 ČSN 02 1401.24	1
6	61 1740 0102	Washer 10,2 ČSN 02 1740.00	1
7	61 1101 2132	Bolt M 6x40 ČSN 02 1101.24	1
8	61 1103 2124	Bolt M 6x20 ČSN 1102.24	2
9	61 1401 2006	Nut M 6 ČSN 02 1401.24	3
10	61 1701 0064	Washer 6,4 ČSN 02 1701.04	3
13	61 1740 0061	Washer 6,1 ČSN 02 1740.00	3
14	61 1103 2118	Screw M 6x10 ČSN 02 1103.24	1



FRAME 31

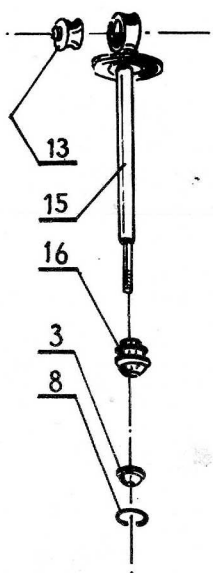
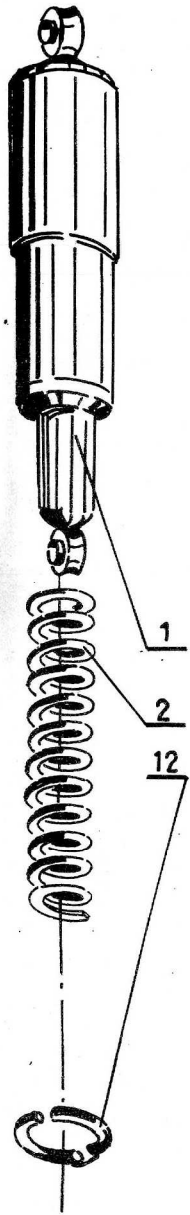
Item	Designation No	Denomination	Pcs 988.0
1	988-31-100	Frame	1
2	980-31-815	Rocker brace	1
3	980-31-036	Rocker bolt	1
4	477-31-052	Spacer tube	2
5	477-41-201	Insert	2
6	980-31-037	Plug	2
9	353-31-028	Seal	2
10	353-31-025	Seal	2
11	45-0805-12	Washer	1
13	967-31-210	Swinging fork, rear	1
14	477-31-206	Bush	2
15	477-31-209	Dustboot	2
16	961-31-230	Tension adjuster screw, L.H.	1
18	61 1401 2008	Nut M 8 ČSN 02 1401.24	2
19	964-31-510	Tension adjuster screw, R.H.	1
20	61 1403 2210	Nut M 10x1, ČSN 02 1403.24	2
21	988-31-026	Rear starting number plate, L.H.	1
22	988-31-025	Rear starting number plate, R.H.	1
23	61 1103 2119	Screw M 6 x12 ČSN 02 1103.24	4
24	353-41-245	Start number plate washer	4
25	959-41-003	Plate	2
26	61 3680 0016	Blā, dia 6,35 (1/4") ČSN 02 3680	38
27	61 1101 6259	Bolt M 10x55 ČSN 02 1101.54	2
28	61 1001 6264	Bolt M 10x80 ČSN 02 1101.54	2
29	61 1401 2010	Nut M 10 ČSN 02 1401.24	4
30	61 1744 0105	Washer 10,5 ČSN 02 1744.00	4
31	450-30-021	Rubber insert	4
32	969-31-521	Bolt	4
33	61 1702 1084	Washer	2
34	61 1740 0082	Washer	4
35	988-31-114	Strip	1
36		Button Er 45 146	1
37	477-30-014	Spacer tube	2
38	988-30-014		2

33/L

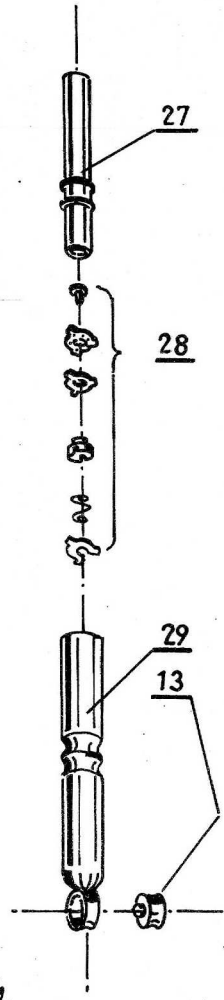


REAR MUDGUARD - SECTION DAMPER 33/I.

Item	Designation No	Denomination	Pcs 988.0
1	988-33-020	Silencer body	1
2	980-33-085	Rear mudguard	1
3	988-33-035	Rear mudguard - rear part	1
4	971-33-020	Flash strip cplt.	1
5	980-33-036	Seal	1
6	980-33-087	Holder	1
6a	980-33-092	Holder	1
7	6.09.96.41	Spacer	5
8	980-33-089	Washer	5
9	980-33-091	Washer	5
10	61 9908 0921	Bushing 9x2 ČSN 63 3881.3	5
11	61 1103 2124	Screw M 6x20 ČSN 02 1103.54	7
12	61 1492 3006	Nut M 6 ČSN 02 1492.25	4
13	61 1101 2192	Screw M 8x45 ČSN 02 1101.24	2
14	61 1401 2008	Nut M 8 ČSN 02 1401.24	2
15	61 1701 2084	Washer 8,4 ČSN 02 1701.04	4
16	61 1103 2119	Screw 6x12 ČSN 02 1103.54	1
17	61 1492 2006	Nut M 6 ČSN 02 1492.24	6
18	61 1745 0064	Washer 6,4 ČSN 02 1745.04	2
20	61 1103 2185	Screw M 8x25 ČSN 02 1103.24	1
21	61 1403 2008	Nut M 8 ČSN 02 1403.24	1
22	61 1701 2084	Washer 8,4 ČSN 02 1701.04	2
23	61 1401 2008	Nut M 8 ČSN 02 1401.24	1
24	988-33-030	Tail lamp bracket	1
25	988-33-012	Rubber pad	4
26	971-01-235	Cleaner element	1
27	988-01-016	Lid	1
28	61 1401 2006	Nut M 6 ČSN 02 1401.24	2
29	988-33-021	Intake silencer cover	1
30	969-00-015	Insert	2
31	988-33-018	Silemblok (110 972 401)	3



35

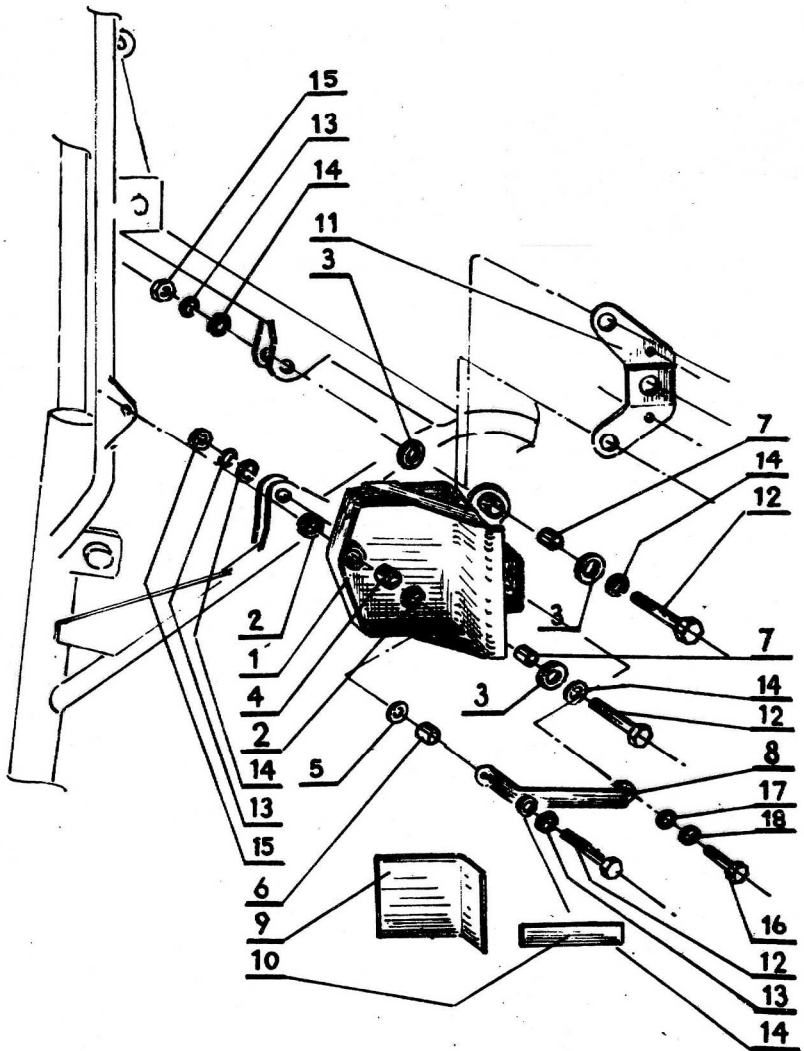


R472

REAR WHEEL SPRINGING 35

Item	Designation No	Denomination	P c s 988.0
	303-9644.25	Rear wheel springing mP 22x90	2
2	403-4501.26	Spring 6,5 mm	1
3	403-7731.00	Sealing ring	1
8	61 7011 0057	Ring 22x1,5 CSW OR 1711.00 S 17	1
12	403-8049.00	Securing clipp	1
13	403-8016.35	Insertion Complete	2
15	403-8032.46	Piston rod welded	1
16	403-7711.28	Stop	1
27	403-6404.81	Working cylinder	1
28	403-8038.08	Inlet valve, assembled	1
29	403-8031.96	Outer cylinder, welded	1

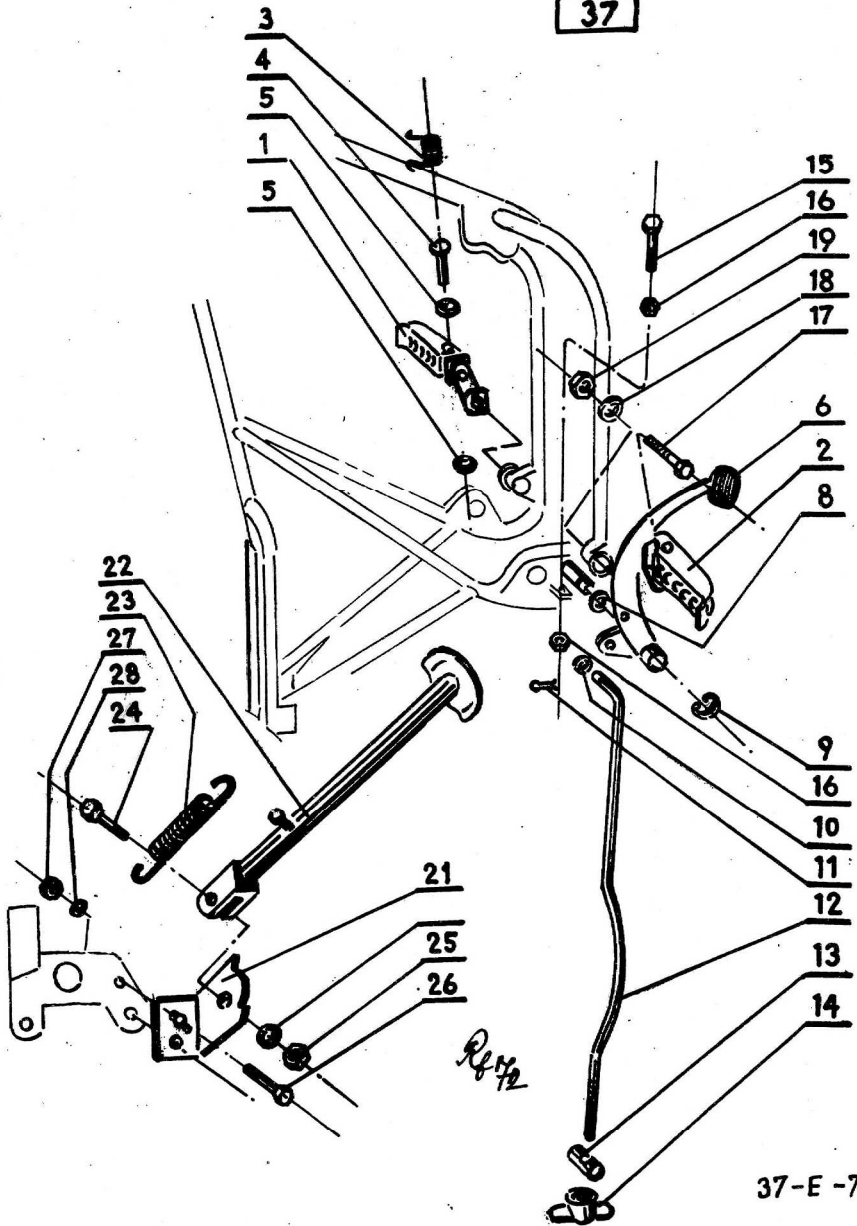
36



BOXES AND COVERS 36

Item	Designation No	Denomination	Pcs 988.0
1	988-36-050	Battery box	1
2	988-36-063	Insert	2
3	450-30-021	Insert	4
4	988-36-051	Spacer, top	1
5	988-36-052	Washer	3
6	988-36-053	Spacer	1
7	988-36-054	Spacer, bottom	2
8	988-36-070	Battery belt	1
9	988-36-073	Washer	1
10	988-36-074	Washer	1
11	988-36-077	Switch holder	1
12	61 1101 2191	Screw M 8x40 ČSN 02 1101.24	3
13	61 1740 0082	Washer 8,2 ČSN 02 1740.00	3
14	61 1702 2084	Washer 8,4 ČSN 02 1702.04	5
15	61 1492 3008	Nut M 8 ČSN 02 1492.25	2
16	61 1103 2118	Nut M 6x10 ČSN 02 1103.24	1
17	61 1740 0061	Washer 6,1 ČSN 02 1740.00	1
18	61 1703 0064	Washer 6,4 ČSN 02 1702.04	1

37

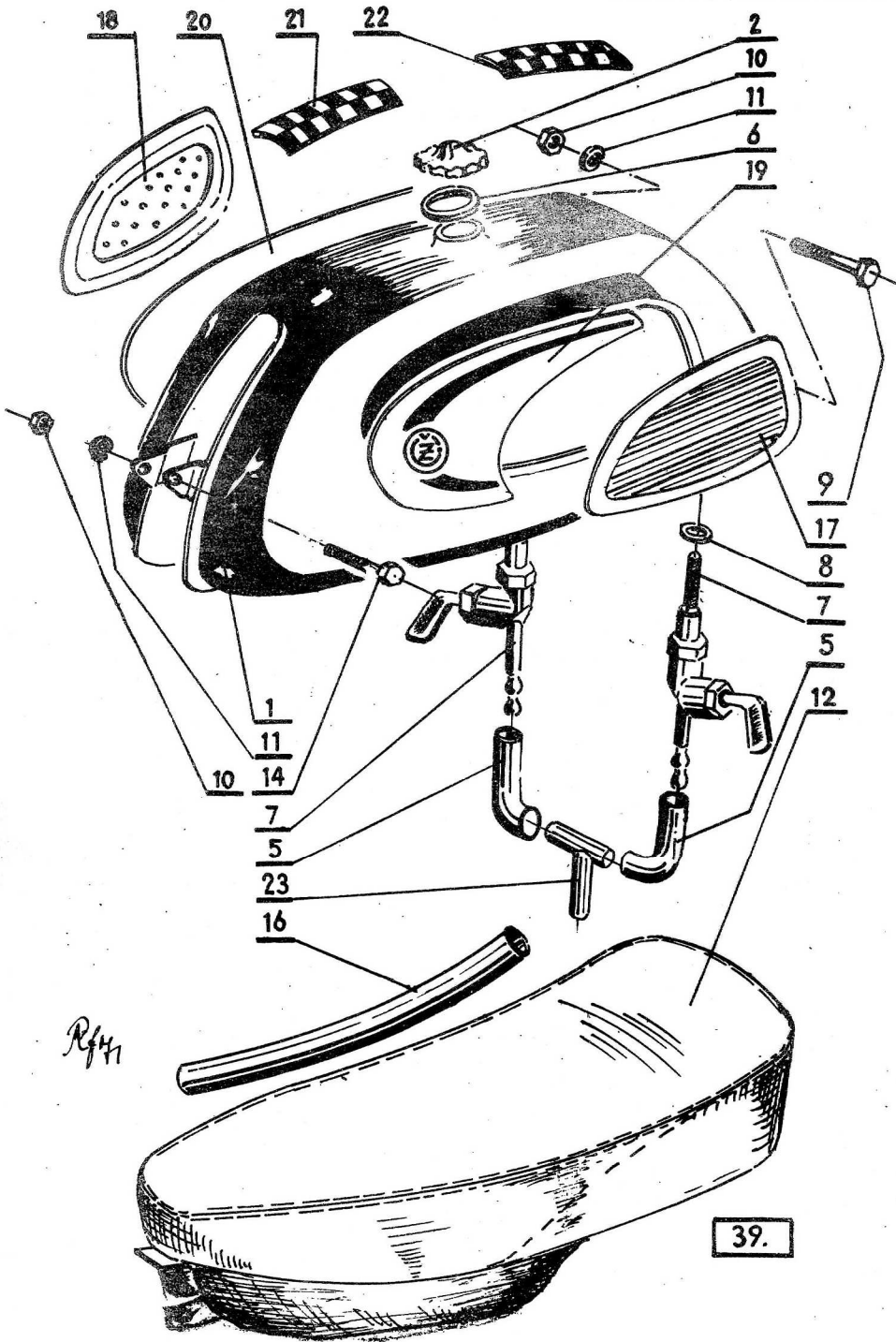


37-E -73

SIDE STAND -

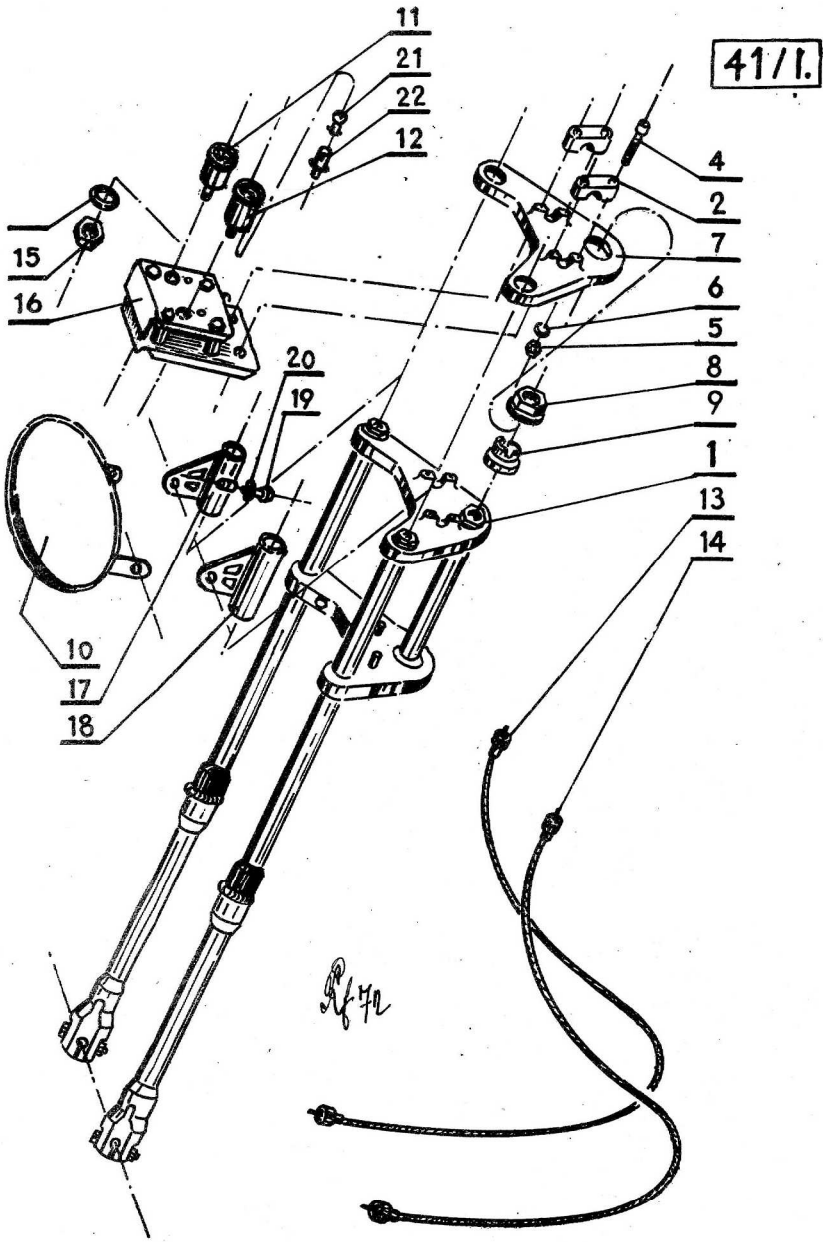
FOLDING FOOTRESTS - REAR BRAKE 37

Item	Designation No	Denomination	Pcs 988.0
1	988-37-020	Footrest L.H.	1
2	988-37-030	Footrest R.H.	1
3	980-37-133	Spring L.H.	2
3a	980-37-134	Spring R.H.	2
4	61 2140 0478	Pin 10x36 ČSN 02 2140.1	2
5	61 1701 0105	Washer 10,5 ČSN 02 1701.05	2
6	988-37-019	Brake lever	1
8	961-37-053	Washer	1
9	61 2930 0016	Circlip 16x1 ČSN 02 2930	1
10	61 1701 0064	Washer 6,4 ČSN 02 1701.04	1
11	61 1781 0092	Cotter pin 1,6x12 ČSN 02 1781.00	1
12	968-37-055	Brake tie - rod	1
13	353-37-063	Support	1
14	353-46-024	Nut	1
15	61 1130 2128	Bolt M 6x30 ČSN 02 1130.24	1
16	61 1403 2006	Nut M 6 ČSN 02 1403.24	2
17	61 1201 4338	Bolt M 12x70 ČSN 02 1201.55	2
18	61 1740 0122	Washer 12,2 ČSN 02 1740.02	2
19	61 1402 3012	Nut M 12 ČSN 02 1402.55	2
20	988-37-010	Stand	1
21	988-37-015	Holder walded	1
22	988-37-025	Leg walded	1
23	988-37-029	Spring	1
24	61 1201 2252	Screw M 10x30 ČSN 02 1201.54	1
25	61 1402 2010	Nut M 10 ČSN 02 1402.24	1
26	61 1103 2122	Screw M 6x16 ČSN 02 1103.24	1
27	61 1401 2006	Nut M 6 ČSN 02 1401.24	1
28	61 1740 0061	Washer 6,1 ČSN 02 1740.00	1



FUEL TANK - SADDLE 39

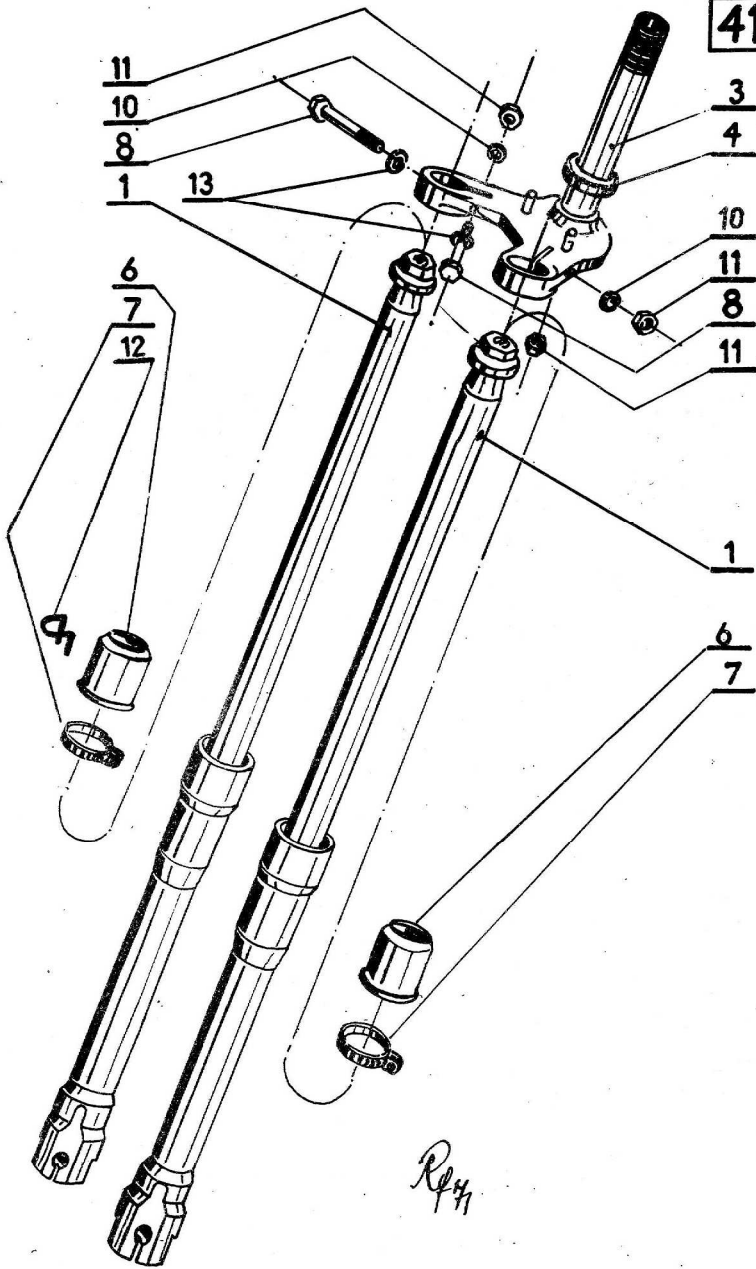
Item	Designation No	Denomination	P c s 988.0
1	988-39-100	Fuel tank with labels	1
2	477-39-150	Filler cap assembly	2
5	988-39-035	Hose Ø 9,5x5,5	1
6	477-39-154	Seal	2
7	980-39-030	Fuel tap, Serial No. 14 K-16/B	1
8	150-11-003	Seal	1
9	61 1101 2199	Bolt M 8x80 ČSN 02 1101.24	1
10	61 1401 2008	Nut M 8 ČSN 02 1401.24	2
11	61 1740 0082	Washer 8,2 ČSN 02 1740.00	2
12	980-34-070	Saddle	1
13	964-34-130	Clip	20
14	61 1103 2195	Screw M 8x60 ČSN 02 1101.24	3
17	477-39-033	Knee pad L.H. side	1
18	477-39-032	Knee pad R.H. side	1
19	477-39-036	Label L.H.	1
20	477-39-037	Label R.H.	1
21	980-39-267	Label front	1
22	980-39-268	Label rear	1
23	980-39-032	Tap hose coupling	1



FRONT FORK 41/I.

Item	Designation No	Denomination	P c s 988.0
1	980-41-130	Fork, complete	1
2	988-41-053	Yoke	2
4	61 1143 5193	Bolt M 8x60 ČSN 02 1143.52	4
5	61 1401 2008	Nut M 8 ČSN 02 1401.24	4
6	61 1744 1084	Washer 8,4 ČSN 02 1744.02	4
7	967-41-105	Support, top	1
8	980-41-152	Steering nut	1
9	967-41-151	Nut	1
10	988-41-050	Number plate, front	1
11	443 4110 84001	Speedometer km	1
	443 4110 85001	Speedometer miles	1
12	443 4120 22001	Revolutions counter	1
13	988-40-011	Speedometer drive shaft	1
14	988-40-021	Revolutions counter drive shaft	1
15	26 200 20	Nut	2
16	988-40-115	Derices holder	1
17	988-40-120	R.H. Headlamp holder	1
18	988-40-125	L.H. Headlamp holder	1
19	61 1201 2154	Serev M 7x20 ČSN 02 1201.24	2
20	61 1740 0072	Washer 7,2 ČSN 02 1740.00	2
21	62 002	Bulb 6 V/1,2 W	2
22	42 902 8060	Socket	2

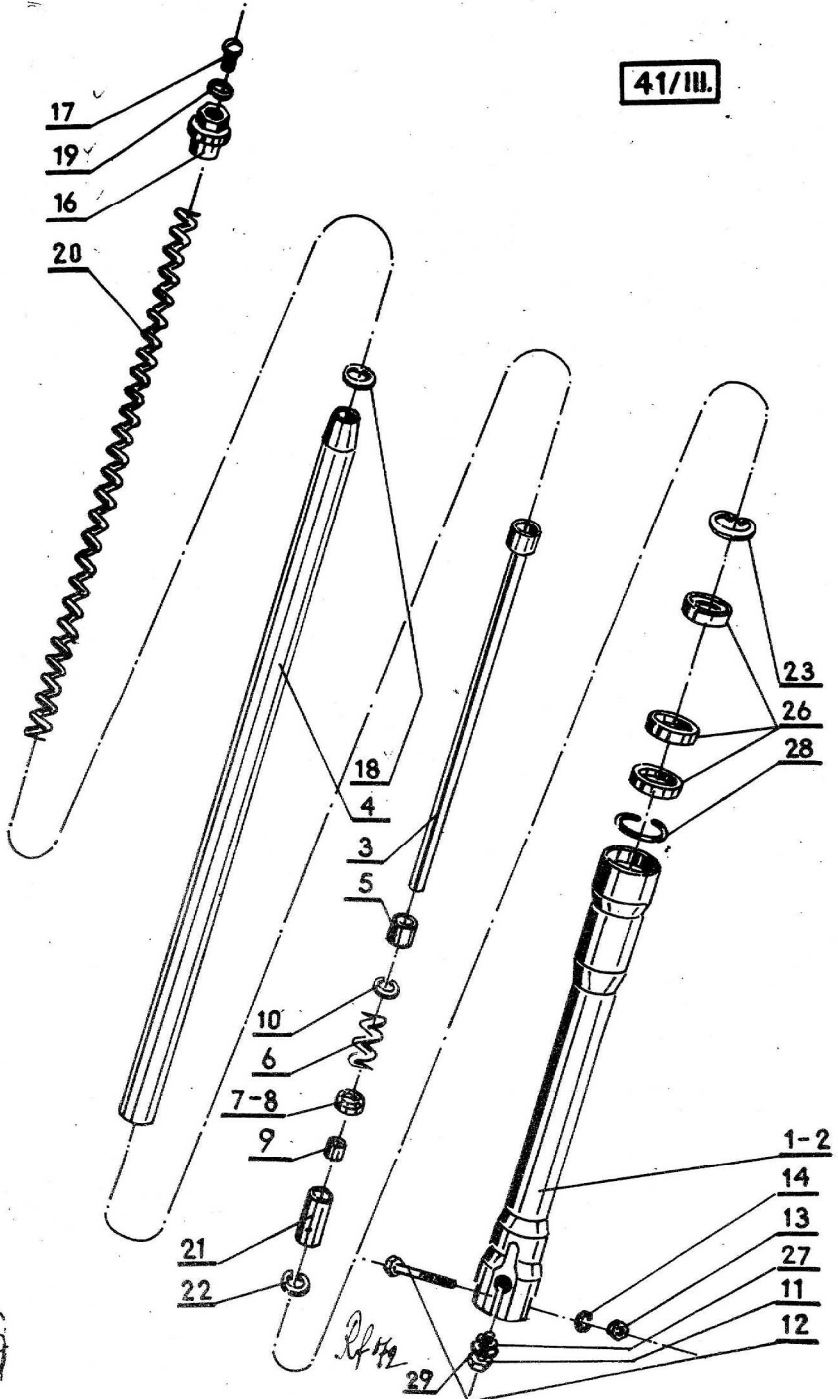
41/II.



FRONT FORK 41/II.

Item	Designation No	Denomination	P c s 988.0
1	980-41-030	Fork leg	2
3	980-41-020	Bottom support, complete	1
4	150-41-003	Ball race	2
6	968-41-102	Protective sleeve	2
7	968-41-112	Clamping strip	2
8	61 1101 6231	Bolt M 8x1x60 ČSN 02 1101.54	2
10	61 1740 0082	Washer 8,2 ČSN 02 1740.00	2
11	61 1401 2008	Nut M 8x1 ČSN 02 1401.24	2
12	980-41-212	Clip	1

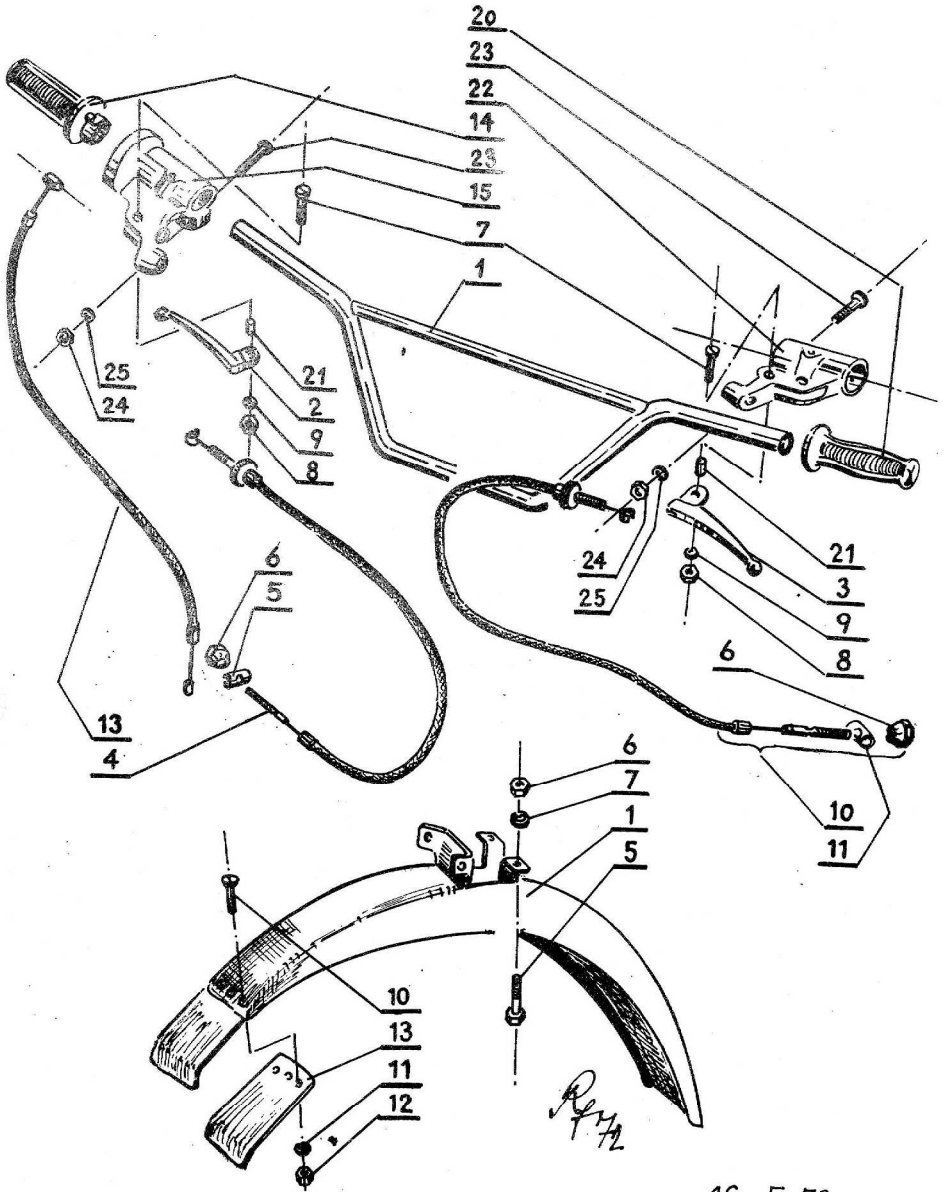
41/III.



FRONT FORK 41/III.

Item	Designation No	Denomination	Pos 988.0
1	980-41-110	Plunger, R.H., Pressed	1
2	980-41-210	Plunger, L.H., pressed	1
3	967-41-230	Damper body welded	1+1
3a	980-41-230	Damper body welded	1+1
4	967-41-120	Carrier tube	1+1
5	967-41-131	Sleeve	1+1
6	967-41-132	Spring anchor	1+1
7	967-41-135	Valve	1+1
8	967-41-136	Valve washer	1+1
9	967-41-137	Sleeve	1+1
10	61 2930 0017	Circlip 17 ČSN 02 2930	1+1
11	61 1143 6183	Bolt M 8x20 ČSN 02 1143.54	1+1
12	61 1101 6231	Bolt M 8x1x60 ČSN 02 1101.54	1+1
13	61 1401 6008	Nut M 8x1 ČSN 02 1401.24	1+1
14	61 1740 0082	Washer 8,2 ČSN 02 1740.00	1+1
16	971-41-215	Nut	1+1
17	351-11-201	Plug	1+1
18	353-31-028	Seal	1+1
19	150-11-008	Seal	1+1
20	967-31-123	Spring	1+1
21	967-41-138	Anchor Bush	1+1
22	967-41-139	Retainer 30	1+1
23	61 2931 0047	Retainer 47 ČSN 02 2931	1+1
26	61 9401 0350	Guffero, dia 35x47x7 ÚN 02 9401.0	3+3
27	967-41-140	Seal	1+1
28	61 2925 0040	Circlip 40 ČSN 02 2925	1+1
29	158-22-065	Washer	1+1

Valid till 1.4.73
Valid from 1.4.73

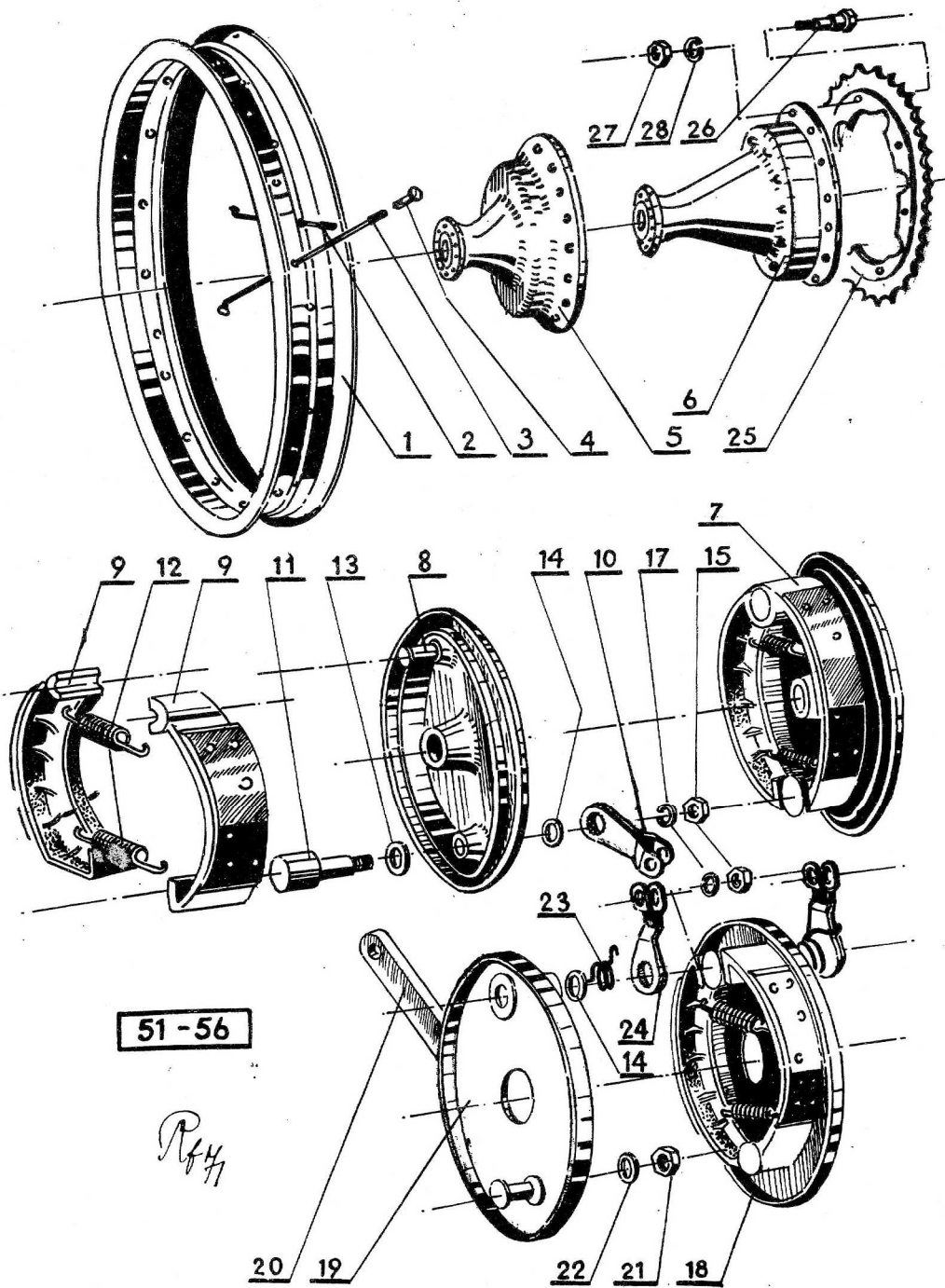


FRONT MUDGUARD 43

Item	Designation No	Denomination	P c s 988.0
1	988-43-010	Frint mudguard	1
5	61 1101 0186	Serew M 8x28 ČSN 02 1101	2
6	61 1401 0008	Nut M 8 ČSN 02 1740.00	2
7	61 1740 0082	Washer 8,2 ČSN 02 1740.00	2
10	61 1132 2122	Bolt M 6x16 ČSN 02 1103.24	3
11	61 1701 2064	Washer 6,4 ČSN 02 1701.14	3
12	61 1402 2006	Nut M 6 ČSN 02 1402.24	3
13	988-43-011	Apron	1

HANDLEBAR 46

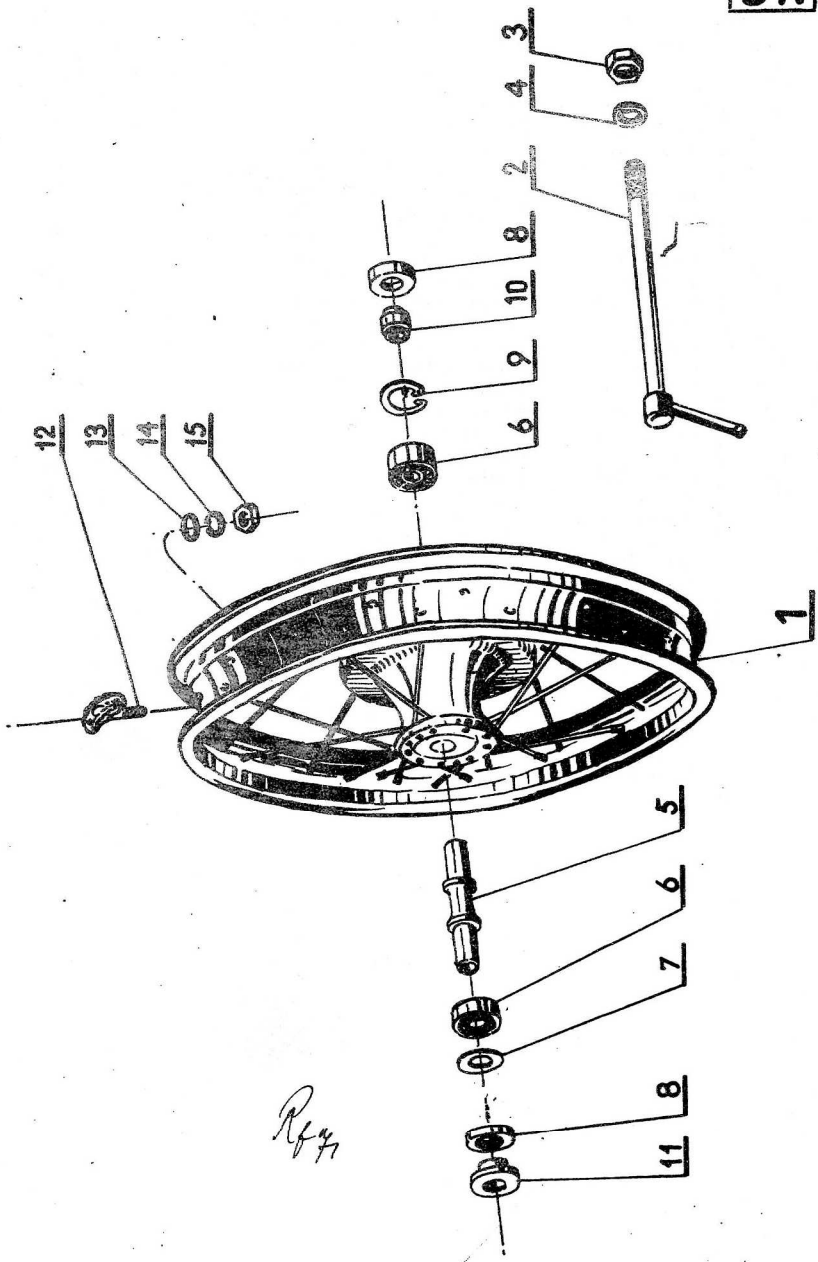
Item	Designation No	Denomination	P c s 988.0
1	988-46-010	Handlebars, welded	1
2	956-46-060	Lever, R.H.	1
3	956-46-070	Lever, L.H.	1
4	988-46-030	Front brake Bowden cable	1
5	353-37-063	Cable stop	1
6	450-46-011	Wing nut	2
7	61 1135 2095	Bolt M 5x22 ČSN 02 1135.24	2
8	61 1401 2005	Nut M 5 ČSN 02 1401.22	2
9	61 1740 0054	Washer 5,4 ČSN 02 1740.00	2
10	988-46-020	Cluth Bowden cable assembly	1
11	155-49-006	Sleeve	1
13	482-46-060	Trottle Bowden cable	1
14	477-46-115	Twist grip	1
15	477-46-130	Grip, R.H.	1
20	353-46-202	Grip, L.H.	1
21	353-46-081	Bush	2
22	477-46-132	Grip, L.H.	1
23	61 1135 2125	Bolt M 6x22 ČSN 02 1135.24	2
24	61 1401 2006	Nut M 6 ČSN 02 1401.24	2
25	61 1745 2064	Washer 6,4 ČSN 02 1745.04	2



FRONT AND REAR WHEEL 51-56

Item	Designation No	Denomination	P o s 988.0
1	964-51-510	Rim 21"	1
	964-56-540	Rim 18"	1
2	964-51-542	Spoke R.H. (front wheel M 4x174,5)	18
	964-56-542	Spoke R.H. (rear wheel M 4x147)	18
3	964-51-541	Spoke L.H. (front wheel M 4x240,5)	18
	964-56-541	Spoke L.H. (rear wheel M 4x199)	18
4	961-56-123	Niple M 4	36+36
5	964-51-505	Wheel hub (front wheel)	1
6	980-56-630	Wheel hub (rear wheel)	1
7	980-51-010	Back plate with brake	1
8	980-51-050	Back plate (front brake)	1
9	967-56-660	Brake shoe assembly	2+2
10	353-56-206	Front lever	1
11	969-56-216	Brake cam	1+1
12	961-56-415	Spring	2+2
13	150-51-068	Shim	1+1
14	353-51-204	Packing	1+1
15	61 1401 2008	Nut M 8x1 ČSN 02 1401.24	1+1
17	61 1744 2084	Washer 8,4 ČSN 02 1744.04	1+1
18	980-56-030	Back plate witch brake shoe (rear)	1
19	980-56-200	Back plate (rear)	1
20	980-56-120	Tie-rod	1
21	61 1401 2210	Nut M 10x1 ČSN 02 1401.24	1
22	61 1740 0102	Washer 10,2 ČSN 02 1740.00	1
23	968-56-252	Brake cam spring	1
24	980-56-635	Rear brake lever	1
25	980-56-528	Chain wheel 52 teeth	1
26	980-56-521	Screw	6
27	61 1402 6108	Nut M 8 x1 ČSN 02 1402.54	6
28	61 1740 0082	Washer 8,2 ČSN 02 1740.00	6

51.

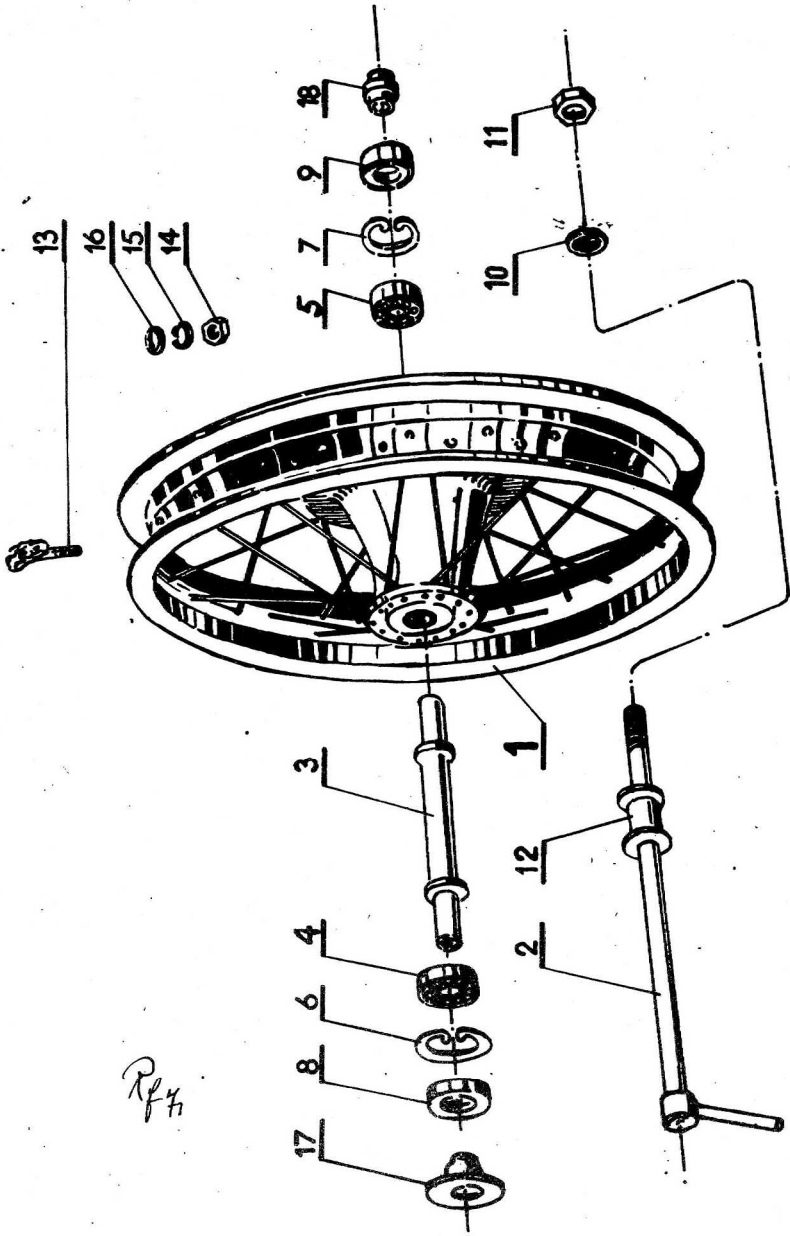


Rf47

FRONT WHEEL 51

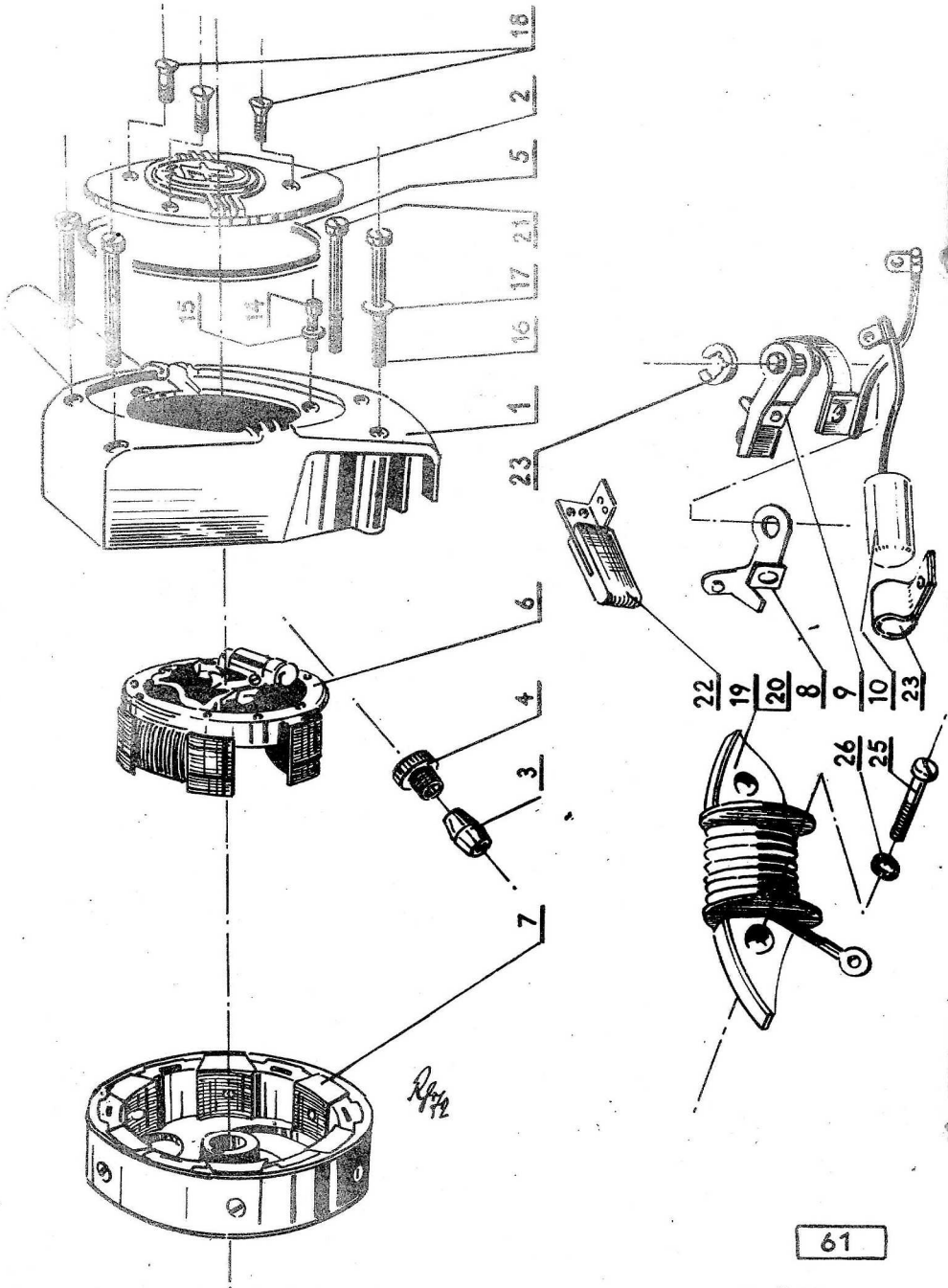
Item	Designation No	Denomination	P e s 988.0
	980-51-020	Front wheel for non-standart design	1
1	967-51-030	Hub with rim	1
2	964-51-513	Front wheel spindle	1
3	959-51-032	Nut	1
4	61 1701 2013	Washer 13 ČSN 02 1701.04	1
5	964-51-515	Distance collar	1
6	60 0063 0200	Bearing 6302 ČSN 02 4637	2
7	964-51-523	Distance ring	1
8	61 9401 0252	Washer 25x42x7 ČSN 02 9401.0	2
9	61 2931 0042	Circlip 42 ČSN 02 2931	1
10	980-51-011	Insert	1
11	980-51-025	Lid	1
12	967-51-170	Tyre retainer	1
13	61 1702 1084	Washer 8,4 ČSN 02 1702.02	1
14	61 1740 2082	Washer 8,2 ČSN 02 1740.04	1
15	61 1401 2008	Nut M 8 ČSN 02 1401.24	1
16	988-50-010	Weight	as necessary

56.



REAR WHEEL 56

Item	Designation No	Denomination	Pcs 988.0
	980-56-070	Rear wheel with chain wheel	1
1	980-56-640	Hub with rim	1
2	967-56-050	Rear spindle, pressed	1
3	964-56-522	Distance tube	1
4	60 0062 0400	Bearing 6204 ČSN 02 4636	1
5	60 0032 0500	Bearing 3205 ČSN 02 4665	1
6	61 2931 0047	Circclip 47 ČSN 02 2931	1
7	61 2931 0052	Circclip 52 ČSN 02 2931	1
8	61 9401 0350	Washer 35x47x7 ÚN 02 9401.0	1
9	61 9401 0400	Washer 40x52x7 ÚN 02 9401.0	1
10	980-56-518	Washer	1
11	61 1403 6116	Nut M 16x1,5 ČSN 02 1403.54	2
12	964-56-512	Spacer	1
13	967-56-170	Tyre retainer	1
14	61 1401 2008	Nut M 8 ČSN 02 1401.24	1
15	61 1740 2082	Washer 8,2 ČSN 02 1740.04	1
16	61 1702 1084	Washer 8,4 ČSN 02 1702.02	1
17	967-56-020	Hub cover	1
18	967-56-022	Spacer	1
19	980-56-050	Rear wheel without chain wheel	1
20	988-50-010	Weight	as necessary

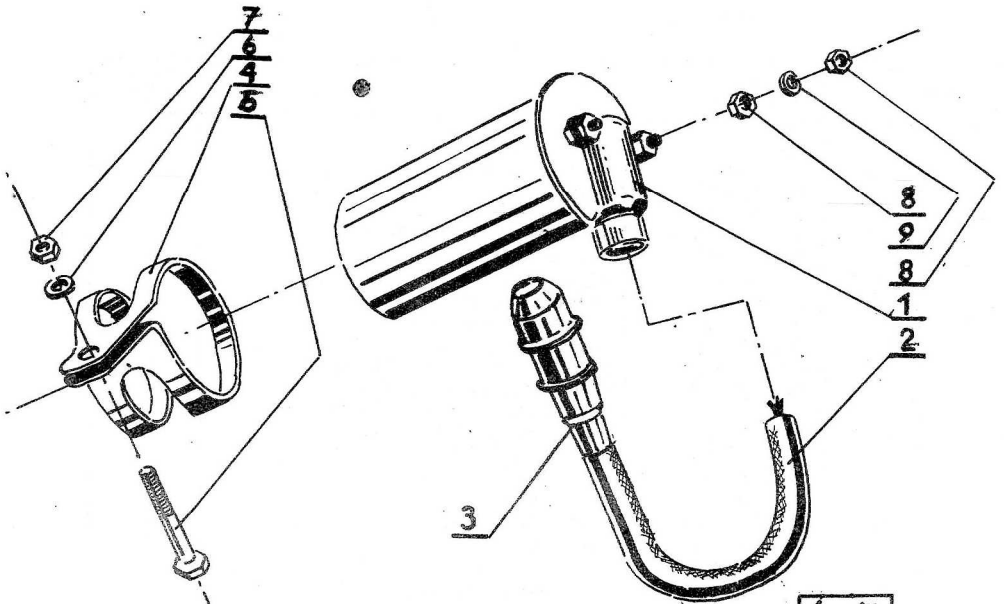


61

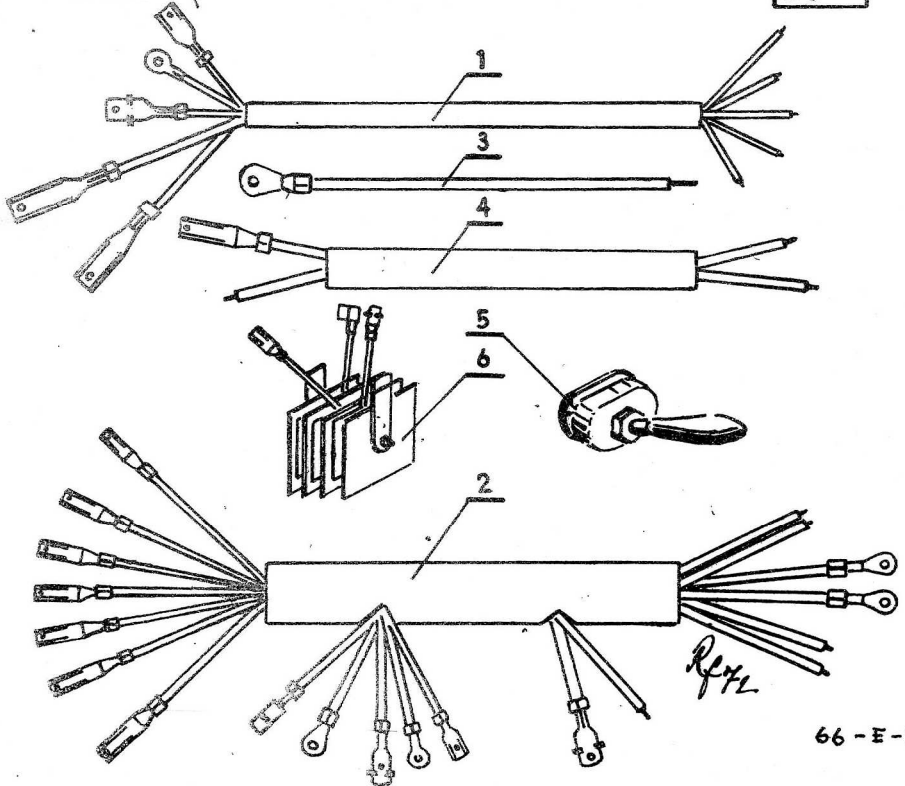
IGNITION - MAGNETO 61/I.

Item	Designation No	Denomination	P c s 988.0
1	980-11-722	Cover, R.H.	1
2	980-11-643	Magneto cover	1
3	968-11-015	Cable outlet	1
4	980-11-040	Sealing rubber	1
5	61 9281 1050	Ring 90x3 ČSN 02 9281.1	1
6	988-61-005	Armature end-plate	1
7	988-61-010	Flywheel	1
8	971-61-110	Contact holder	1
9	971-61-115	Contact breaker arm	1
10	980-61-150	Capacitor	1
14	61 1131 2092	Bolt M 5x16 ČSN 02 1131.24	3
15	61 1701 0053	Washer 5,3 ČSN 02 1701.04	3
16	61 1131 2134	Bolt M 6x50 ČSN 02 1131.24	2
17	61 1740 0061	Washer 6,1 ČSN 02 1740.00	4
18	61 1155 2089	Bolt M 5x12 ČSN 02 1155.24	3
19	988-61-015	Field coil	1
20	988-61-030	Lichting coil	2
21	61 1131 2137	Bolt M 6x55 ČSN 02 1131.22	2
22	980-61-130	Lubricating felt	1
23	61 2920 0003	Luck ring 3,2 ČSN 02 2929.02	1
24	980 61 015	Capacitor holder	1
25	61 1135 0073	Screw M 4 x 30 ČSN 02 1135.24	6
26	61 1740 0041	Washer 4,1 ČSN 02 1740.00	6

66



60/II.

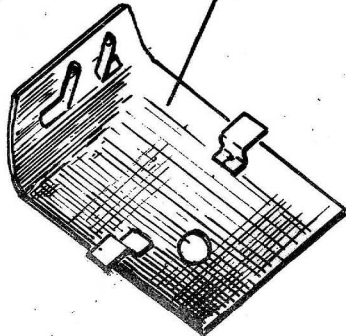
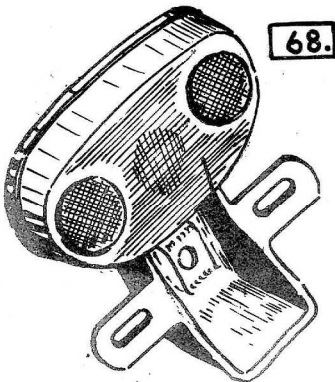
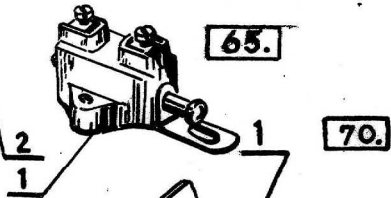
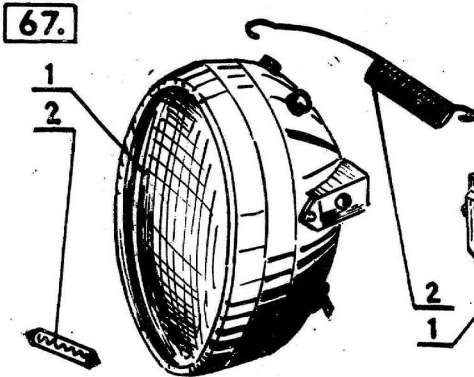
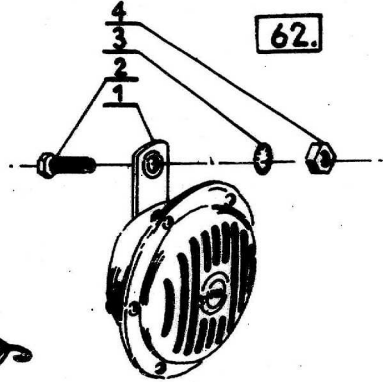
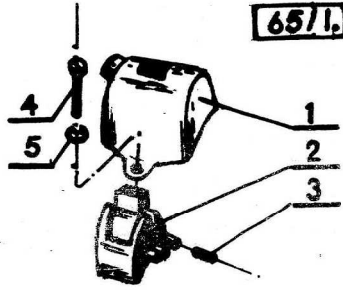
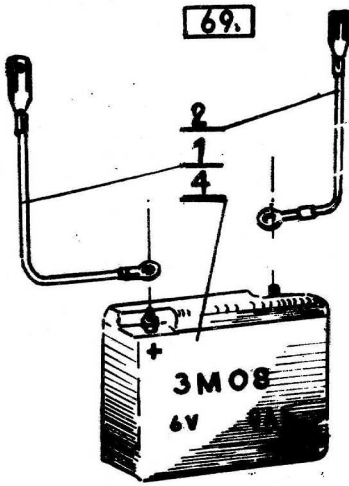


IGNITION COIL 66

Item	Designation No	Denomination	P c s 988.0
1	443 212 210 300	Ignition coil	1
2	988-61-012	Spark plng cable	1
3	988-66-015	Terminal TESLA-NK2	1
4	402 8474 83	Yoke	1
5	61 1103 2122	Bolt M 6x16 ČSN 02 1103.24	2
6	61 1740 0061	Washer 6,1 ČSN 02 1740.00	2
7	61 1401 2006	Nut M 6 ČSN 02 1401.24	2
8	61 1403 2005	Nut M 5 ČSN 02 1403.24	2
9	61 1740 0053	Washer 5,1 ČSN 02 1740.00	2

LEADS - 60/II.

Item	Designation No	Denomination	P c s 988.0
1	988-60-010	Ignition - magneto leads	1
2	988-60-050	Cable line	1
3	988-60-115	Cable of storage battery - aip switch	1
4	988-60-100	Tail lamp leads	1
5	988-61-090	Switch for day or night riding	1
6	988-61-070	Selenium rectifier	1
7	988-61-110	Cable of stop leght	1



Item	Designation No	Denomination	Pcs 988.0
ELECTRIC HORN 62			
1	03 9414.08	Electric horn	1
2	61 1103 2179	Screw M 8x14 ČSN 02 1103.14	1
3	61 1740 0082	Washer 8,2 ČSN 02 1740.00	1
4	61 1401 2008	Nut M 8 ČSN 02 1401.24	1
STOP SWITCH 65			
	988-65-100	Stop switch, assy	1
	988-65-051	Stop switch spring	1
HEADLAMP 67			
1	988-67-000	Headlamp Aprilia Cross 130/DSSU	1
2		Fuse 15 A	2
TAIL LAMP			
1	988-68-000	Tail lamp Aprilia 4521/G-IGM 1054 LPX	1
BATTERY 69			
2	988-60-075	Battery lead	1
1	988-60-065	Battery - rectifier lead	1
4	477-69-015	Battery 8 Ah - AKUMA	1
SUPPLEMENTS :			
1	988-70-010	Engine cower	1
DIP SWITCH 65/I.			
1	477-65-110	Casing cplt	1
2	353-65-130	Dip switch boddy	1
3	61 1181 0027	Set screw M 3x4 ČSN 02 1181	3
4	61 1146 2063	Screw M 4x10 ČSN 02 1146.35	2
5	61 1703 2043	Washer 4,3 ČSN 02 1703.14	2

TOOLS (STANDART) - 988-71-015

Item	Designation No	Denomination	Pcs 988.0
	63 0610 1417	Spanner 14/17 ČSN 23 0610	1
	63 0610 1112	Spanner 11/12 ČSN 23 0610	1
	63 0610 0810	Spanner 8/10 ČSN 23 0610	1
	63 0651 0017	Box spanner 17 ČSN 23 0651	1
	63 0651 0021	Box spanner 21 ČSN 23 0651	1
	477-71-040	Spanner 9/7	1
	353-71-016	Handle	1
	353-71-011	Screwdriver 3 mm	1
	355-71-030	Twin screwdriver	1
	63 6038 0003	Combination phers 180 ČSN 23 0380	1
	353-71-015	Tool kit	1
	353-71-018	Duster	1
	63 0625 0024	Spanner 24 ČSN 23 0625	1
	63 0625 0022	Spanner 22 ČSN 23 0625	1
	63 0651 0013	Box spanner 13 ČSN 23 0651	1
	63 0710 0006	Spanner 6 ČSN 23 0710	1
	151-67-014	Tyre lever	1
	353-71-100	Tyre pump	1

TOOLS (SPECIAL - PURPOSE) - on special order only 980-71-060

Item	Designation No.	Denomination	Pcs 988.0
	980-71-040	Fuller, complete	1
	63 0710 0006	Spanner 6, ČSN 23 0710.1	1
	980-71-035	Auxiliary plate	1
	971-71-012	Head spanner	1



ČESKÉ ZÁVODY MOTOCYKLOVÉ-N.P-STRAKONICE